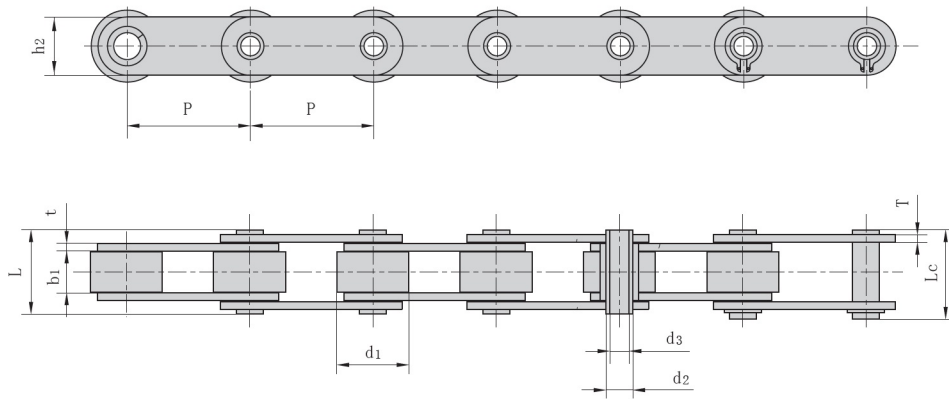


Cadenas de rodillo de doble paso Double pitch roller chains Chaînes à rouleaux double pas



Codigo Code	Referencia Reference Référence	Paso Pitch Pas	Ø Rodillo Roller Rouleau	Ancho interior Width inner Largeur intérieur	Ø Eje Pin Rouleau		Longitud eje Pin length Longueur axe		Ancho de malla Inner plate depth Largeur plaques	Espesor de malla Plate thickness Épaisseur plaques	Carga de rotura Breaking load Charge rupture	Peso por metro Weight per meter Poids par mètre
		P mm	d1 max mm	b1 min mm	d2 mm	d3 min mm	L max mm	Lc max mm	h2 max mm	t/T max mm	Q min kN/lbf	q kg/m
14084030	C2042HP	25.40	15.88	7.85	5.63	4.00	16.5	17.6	12.00	1.50	11.0/2500	0.78
14104030	C2052HP	31.75	19.05	9.53	7.22	5.12	20.5	21.8	15.00	2.03	20.4/4636	1.25
14124030	C2062HP	38.10	22.23	12.70	8.31	6.00	25.8	26.8	17.00	2.42	24.0/5455	1.72
14164030	C2082HP	50.80	28.58	15.75	11.40	8.05	32.4	33.8	24.00	3.25	50.0/11364	2.82
	C2042H-HP	25.40	15.88	7.85	5.63	4.00	18.8	19.9	12.00	2.03	11.0/2500	0.95
	C2052HPF1	31.75	19.05	9.40	7.03	5.12	20.0	21.5	15.30	1.85	15.0/3409	1.21
	C2052HPF3	31.75	19.05	9.53	7.02	5.13	20.1	21.6	15.09	2.03	19.6/4455	1.20
	C2052H-HP	31.75	19.05	9.53	7.22	5.12	22.1	23.4	15.00	2.42	20.4/4545	1.44
	C2062H-HP	38.10	22.23	12.70	8.31	6.00	29.2	30.2	17.00	3.25	24.0/5455	1.99
	C2082H-HP	50.80	28.58	15.75	11.40	8.05	35.7	37.0	24.00	4.00	50.0/11364	3.34
	HP40	40.00	22.00	8.75	9.00	6.00	23.0	24.2	18.00	2.50	27.0/4545	1.49
	HB40F1	40.00	22.00	9.00	9.00	6.00	23.0	24.5	18.00	2.50	20.0/4546	1.58
	HB41.4	41.40	25.40	15.00	13.80	10.50	35.5	37.0	32.00	4.00	45.0/10227	4.20
	HP50	50.00	31.00	14.50	13.20	10.40	31.1	32.5	25.00	3.10	30.0/6818	3.29
	HP50F4	50.00	31.00	15.00	13.20	10.20	36.5	38.0	25.00	4.00	40.0/9091	3.73
	HB50	50.00	31.00	15.00	14.00	10.20	36.0	37.5	25.00	4.00	40.0/9091	3.98
	HB50.8F8	50.80	32.00	20.00	19.10	12.40	44.6	46.4	40.00	5.00/4.00	100.0/22727	6.75
	C1655HP	50.80	30.00	10.50	13.00	8.20	27.4	28.9	26.00	3.10	42.0/9545	2.72
	HP50.8	50.80	26.00	15.88	20.00	14.30	41.0	42.2	38.10	4.80	100.0/22727	5.32
	HB50.8F9	50.80	35.00	12.00	15.50	10.20	36.0	37.3	30.00	5.00	70.0/15909	4.92
	HB50.8F20	50.80	38.10	15.20	14.28	9.50	36.6	37.2	26.40	4.00	40.0/8992	4.88
	63HPF1	63.00	40.00	15.00	16.00	12.10	35.0	36.2	28.50	4.00	50.0/11364	4.20
	DH4202HP	50.80	31.80	15.00	14.00	10.10	36.3	39.0	26.00	3.80	42.0/9545	3.75
	DH4203HP	76.20	31.80	15.00	14.00	10.10	36.3	39.0	26.00	3.80	42.0/9545	3.01