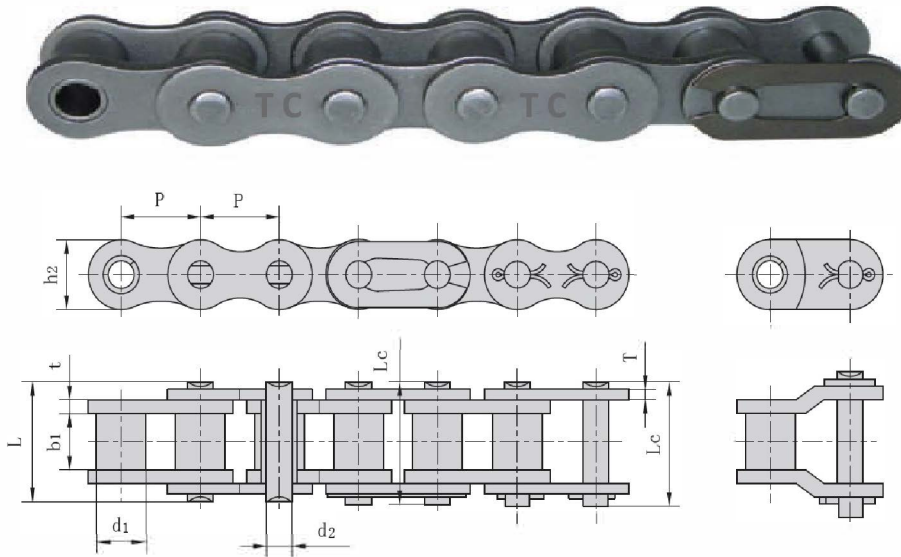




Cadenas de rodillos simple DIN 8187 Serie europea
Simple roller chains DIN 8187 European series
Chaînes à rouleaux simple DIN 8187 série européenne



Codigo Code	Referencia Reference Référence	Paso Pitch Pas	Ø Rodillo Roller Roleau	Ancho interior Width inner Largeur intérieur	Ø Eje Pin Rouleau	Longitud eje Pin length Longueur axe	Ancho de malla Inner plate depth Largeur plaques	Espesor de malla Plate thickness Épaisseur plaques	Carga de rotura Breaking load Charge rupture	Peso por metro Weight per meter Poids par mètre
	DIN/ISO	P mm	d 1 max mm	b 1 min mm	d 2 max mm	L max mm Lc max mm	h 2 max mm	T max mm	Q min kN/lbf	q kg/m
10016000	04B-1	6.000	4.00	2.80	1.85	6.80 7.8	5.00	0.60	3.0/682	0.11
10028001	05B-1	8.000	5.00	3.00	2.31	8.20 8.9	7.10	0.80	5.0/1136	0.20
10032001	*06B-1	9.525	6.35	5.72	3.28	13.15 14.1	8.20	1.30	9.0/2045	0.41
10042001	08B-1	12.700	8.51	7.75	4.45	16.70 18.2	11.80	1.60	18.0/4091	0.69
10052001	10B-1	15.875	10.16	9.65	5.08	19.50 20.9	14.70	1.70	22.4/5091	0.93
10062001	12B-1	19.050	12.07	11.68	5.72	22.50 24.2	16.00	1.85	29.0/6591	1.15
10082001	16B-1	25.400	15.88	17.02	8.28	36.10 37.4	21.00	4.15/3.1	60.0/13636	2.71
10102001	20B-1	31.750	19.05	19.56	10.19	41.30 45.0	26.40	4.50/3.5	95.0/21591	3.70
10122001	24B-1	38.100	25.40	25.40	14.63	53.40 57.8	33.20	6.00/4.8	160.0/36364	7.10
10142001	28B-1	44.450	27.94	30.99	15.90	65.10 69.5	36.70	7.50/6.0	200.0/45455	8.50
10162000	32B-1	50.800	29.21	30.99	17.81	66.00 71.0	42.00	7.00/6.0	250.0/56818	10.25
10202000	40B-1	63.500	39.37	38.10	22.89	82.20 89.2	52.96	8.50/8.0	355.0/80682	16.35
10242000	48B-1	76.200	48.26	45.72	29.24	99.10 107.0	63.80	12.00/10.0	560.0/127272	25.00
	56B-1	88.900	53.98	53.34	34.32	114.6 123.0	77.80	13.50/12.0	850.0/193180	35.78
	64B-1	101.600	63.50	60.96	39.40	130.0 138.5	90.17	15.00/13.0	112.0/254544	46.00
	72B-1	114.300	72.39	68.58	44.48	147.4 156.4	103.60	17.00/15.0	1400.0/318180	60.80

* Malla recta / Straight plates / Plaques droites