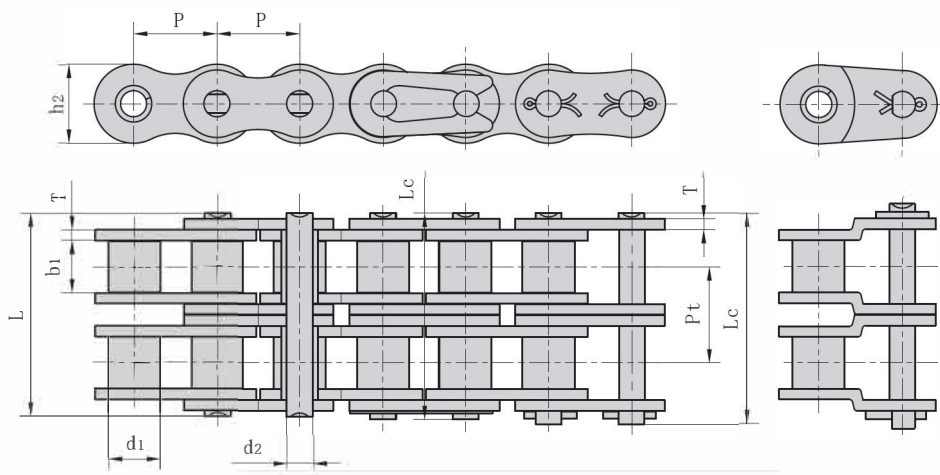




Cadenas de rodillos doble DIN 8188 Serie americana
 Double roller chains DIN 8188 American series
 Chaînes à rouleaux doubles DIN 8188 Série américaine



| Codigo Code | Referencia Reference Référence | Paso Pitch Pas | Ø Rodillo Roller Rouleau | Ancho interior Width inner Largeur intérieur | Ø Eje Pin Rouleau | Longitud eje Pin length Longueur axe | Ancho de malla Inner plate depth Largeur plaques | Espesor de malla Plate thickness Épaisseur plaques | Médula transversal Transversale pith Moelle transversale | Carga de rotura Breaking load Charge rupture | Peso por metro Weight per meter Poids par mètre | |
|-------------|--------------------------------|----------------|--------------------------|--|-------------------|--------------------------------------|--|--|--|--|---|--------|
| | DIN/ISO ASA | P mm | d 1 max mm | b 1 min mm | d 2 max mm | L max mm | Lc max mm | h 2 max mm | T max mm | Pt mm | Q min kN/lbf | q kg/m |
| | *04C-2 | 25-2 | 6.350 | 3.30 | 3.18 | 2.31 | 14.5 | 15.0 | 6.00 | 0.80 | 7.00/1591 | 0.28 |
| 00035000 | *06C-2 | 35-2 | 9.525 | 5.08 | 4.77 | 3.58 | 22.5 | 23.3 | 9.00 | 1.30 | 15.80/3591 | 0.63 |
| | 085-2 | 41-2 | 12.700 | 7.77 | 6.25 | 3.58 | 25.7 | 26.9 | 9.91 | 1.30 | 13.34/3032 | 0.81 |
| 02040001 | 08A-2 | 40-2 | 12.700 | 7.95 | 7.85 | 3.96 | 31.0 | 32.2 | 12.00 | 1.50 | 28.20/6409 | 1.12 |
| 02050001 | 10A-2 | 50-2 | 15.875 | 10.16 | 9.40 | 5.08 | 38.9 | 40.4 | 15.09 | 2.03 | 44.40/10091 | 2.00 |
| 02060001 | 12A-2 | 60-2 | 19.050 | 11.91 | 12.57 | 5.94 | 48.8 | 50.5 | 18.00 | 2.42 | 63.60/14455 | 2.92 |
| 02080001 | 16A-2 | 80-2 | 25.400 | 15.88 | 15.75 | 7.92 | 62.7 | 64.3 | 24.00 | 3.25 | 113.40/25773 | 5.15 |
| 02100001 | 20A-2 | 100-2 | 31.750 | 19.05 | 18.90 | 9.53 | 76.4 | 80.5 | 30.00 | 4.00 | 177.00/40227 | 7.80 |
| 02120001 | 24A-2 | 120-2 | 38.100 | 22.23 | 25.22 | 11.10 | 95.8 | 99.7 | 35.70 | 4.80 | 254.00/57727 | 11.70 |
| 02140000 | 28A-2 | 140-2 | 44.450 | 25.40 | 25.22 | 12.70 | 103.3 | 107.9 | 41.00 | 5.60 | 344.80/78364 | 15.14 |
| 02160001 | 32A-2 | 160-2 | 50.800 | 28.58 | 31.55 | 14.27 | 123.3 | 128.1 | 47.80 | 6.40 | 453.60/103091 | 20.14 |
| | 36A-2 | 180-2 | 57.150 | 35.71 | 35.48 | 17.46 | 138.6 | 144.4 | 53.60 | 7.20 | 560.50/127386 | 29.22 |
| 02200000 | 40A-2 | 200-2 | 63.500 | 39.68 | 37.85 | 19.85 | 151.9 | 158.8 | 60.00 | 8.00 | 707.60/160818 | 32.24 |
| | 48A-2 | 240-2 | 76.200 | 47.63 | 47.35 | 23.81 | 183.4 | 190.8 | 72.39 | 9.50 | 1020.60/213955 | 45.23 |

* Cadena de casquillo fijo / Bush chains / Chaîne à douilles