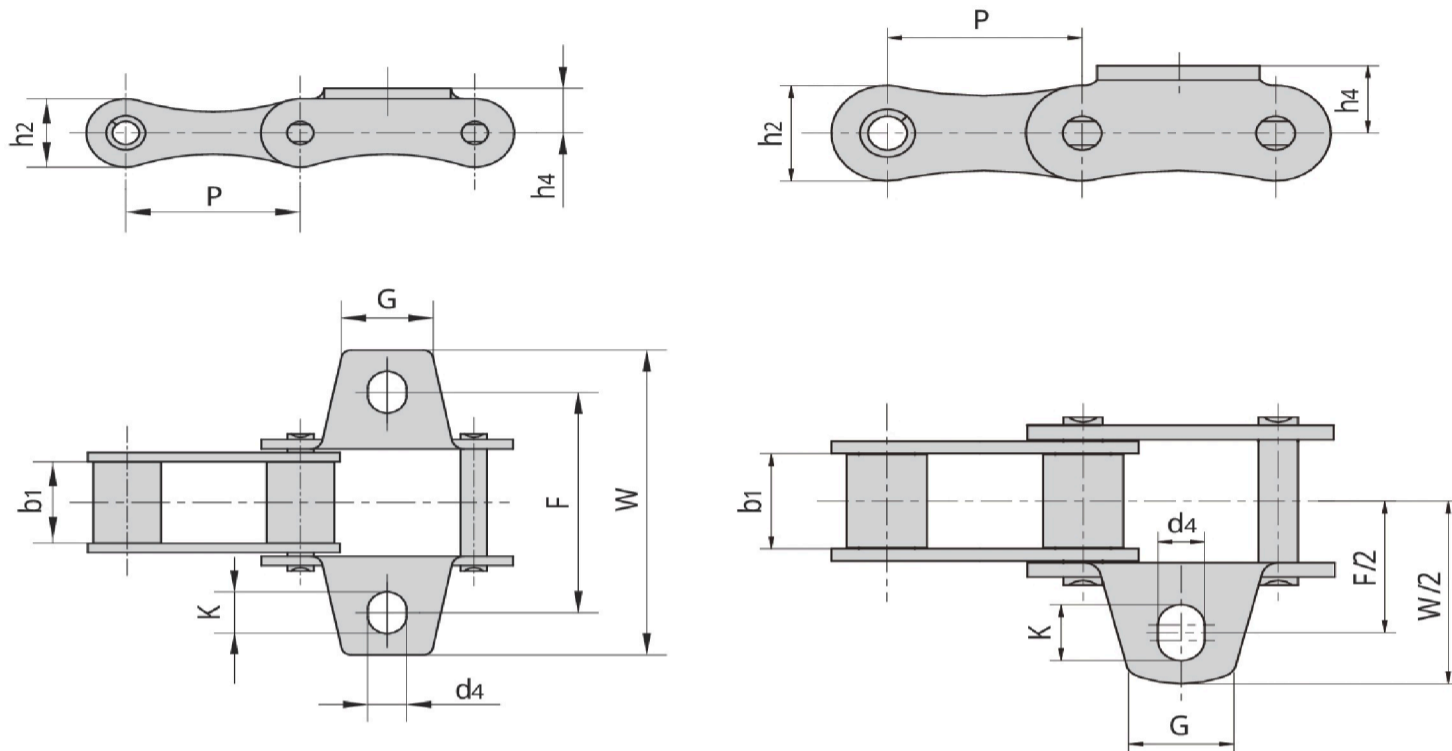




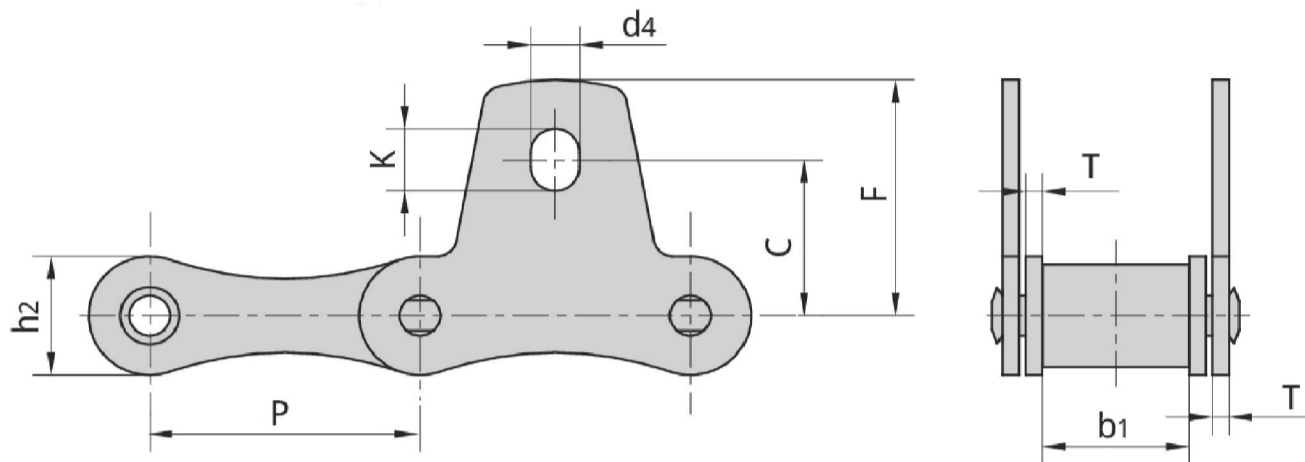
Cadenas agrícolas.
Agricultural chains.
Chaînes agricoles.



Chain No.	P	b1	G	F	W	h4	d4	K	h2
	mm	mm	mm	mm	mm	mm	mm	mm	mm
S 32K1	29.21	15.88	15.0	42.9	61.0	8.6	5.3	6.9	13.2
S32K1F1	29.21	15.88	15.0	42.9	61.0	8.6	6.5	8.1	13.2
S 42K1	34.93	19.05	17.5	54.0	74.9	14.0	8.3	11.5	19.8
S 45K1	41.40	22.23	22.0	54.0	75.0	11.4	8.5	11.7	17.3
S 51K1	38.10	16.00	19.0	49.8	71.5	11.4	8.3	9.9	17.3
S 52K1	38.10	22.23	19.0	58.8	78.0	11.4	8.3	9.9	17.3
S52K1F1	38.10	22.23	19.0	58.8	78.0	11.4	6.6	8.2	17.3
S 55K1	41.40	22.23	22.0	54.0	75.0	11.4	8.5	11.7	17.3
S55K1F1	41.40	22.23	22.0	54.0	75.0	11.4	6.5	9.5	17.3
S 55HK1	41.40	22.23	34.0	52.7	82.0	13.4	8.4	11.4	20.4
S 62K1	41.91	26.20	22.0	66.8	95.4	11.4	8.3	14.7	17.3
S62A2K1	41.91	26.20	22.0	66.7	95.5	12.6	8.3	14.7	17.3
S62F2K1	41.91	26.20	22.0	66.8	95.4	11.4	6.5	13.0	17.3
S62F5A2K1	41.91	26.20	22.0	66.7	95.5	12.6	8.3	14.7	16.7
S 77K1	58.34	22.23	25.0	76.2	102.0	20.8	8.3	11.5	26.2
S 88K1	66.27	28.58	22.0	97.0	119.4	20.8	8.3	9.9	26.2
S51HF1K1	38.10	16.00	34.0	52.4	84.5	13.0	8.3	9.9	21.0
S88F2K1	66.27	28.58	22.0	97.0	119.4	20.8	8.3	9.9	26.2
S42A1F2	34.93	19.05	23.6	54.0	75.0	14.0	6.9	10.1	19.8
S42F2A1	34.93	19.05	17.5	54.0	75.0	14.0	8.3	11.5	19.8
S88F3K1	66.27	28.58	30.0	97.7	120.0	20.5	8.3	9.9	26.2
S62F12K1	41.91	25.40	22.0	65.9	94.7	12.6	8.3	14.7	16.7



Cadenas agrícolas.
Agricultural chains.
Chaînes agricoles.



Chain No.	P mm	b ₁ mm	h ₂ mm	T mm	C mm	F mm	d ₄ mm	K mm
S 32S K1	29.21	15.88	13.2	1.8	17.3	26.20	5.3	6.9
S 42S K1	34.93	19.05	19.8	2.8	23.6	34.30	8.3	11.5
S 45S K1	41.40	22.23	17.3	2.8	19.8	30.20	8.3	11.5
S 52S K1	38.10	22.23	17.3	2.8	22.1	31.80	8.3	9.9
S 55S K1	41.40	22.23	17.3	2.8	19.8	30.20	8.3	11.5
S 62S K1	41.91	26.20	17.3	2.5	24.6	38.60	8.3	14.7
S 77S K1	58.34	22.23	26.2	4.0	36.3	50.00	8.3	11.5
S 88S K1	66.27	28.58	26.2	4.0	43.7	55.60	8.3	9.9
S 32S K1 F1	29.21	15.88	13.2	1.8	16.7	25.68	6.5	8.1
S 55R HSK 1	41.40	22.23	22.4	4.0	19.8	30.20	8.3	11.5