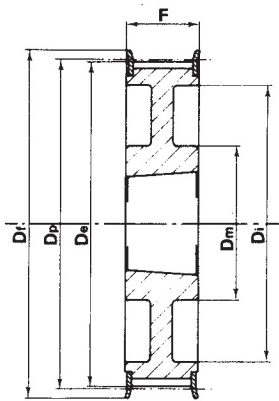
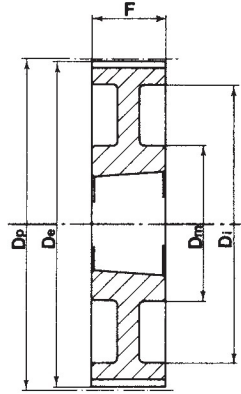


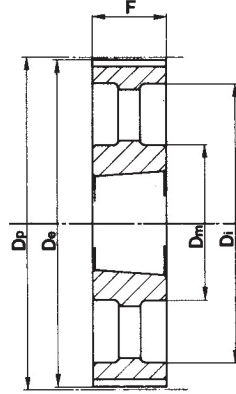
Tipo / Type
3F



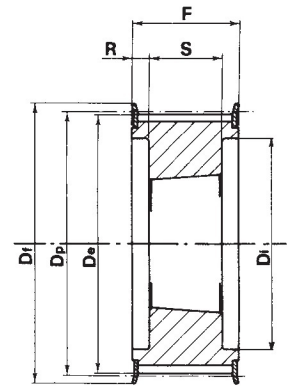
Tipo / Type
3WF



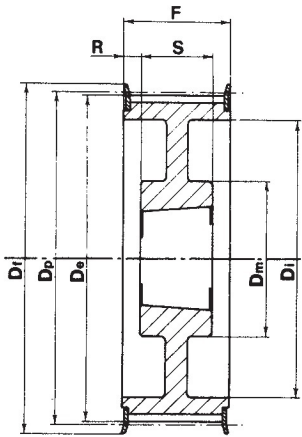
Tipo / Type
3W



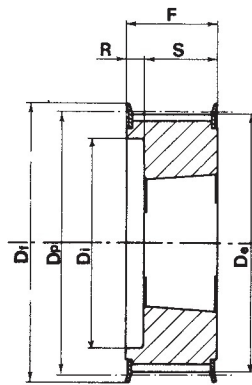
Tipo / Type
3A



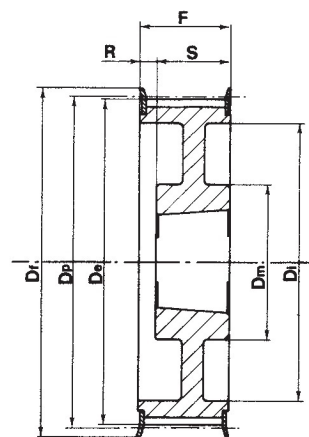
Tipo / Type
4F



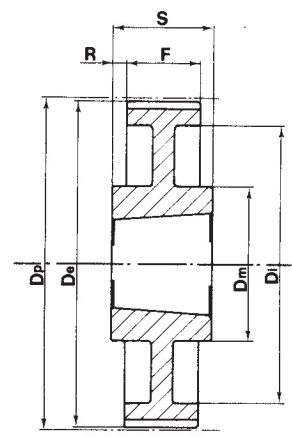
Tipo / Type
4WF



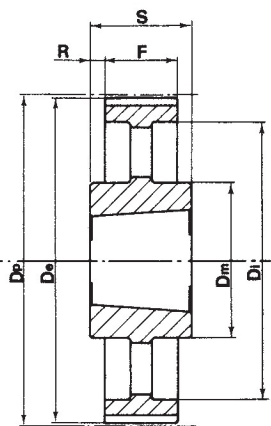
Tipo / Type
5F



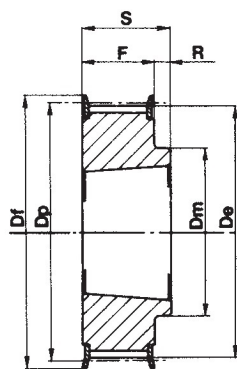
Tipo / Type
5WF



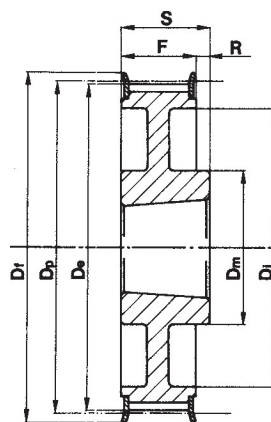
Tipo / Type
7W



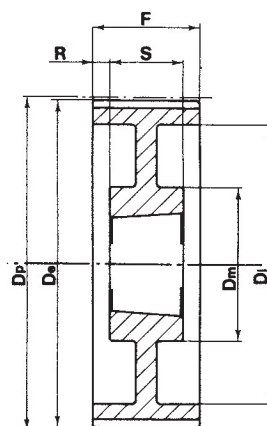
Tipo / Type
7A



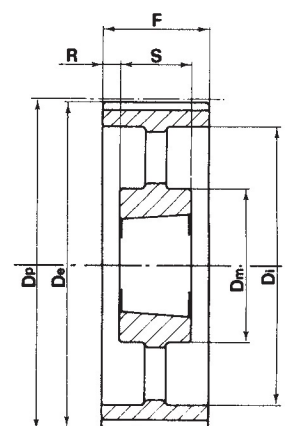
Tipo / Type
8F



Tipo / Type
8WF



Tipo / Type
9W



Tipo / Type
9A



L 050 - 3/8" (9,525 mm)

Caratteristiche Features Merkmale Características		Codice Code symbol Bezeichnung Code symbole Numero de fabrica	Nostro codice Our code Unser Code Notre code Nuestro codigo	Tipo Type Typ Type Tipo	Codice flangia Flange code Bordscheiben Typ Code flasque Código brida	Bussola Bush Buchse Moyeu Casquillo	Foro max. Max. Bore Max. Bohrung Alesage max. Agujero max.	Dp	De	Df	Dm	Di	F	S	R	Peso Weight / Gewicht Poids / Peso Kg
Acciaio / Steel / Stahl Acier / Acero	con flangia / with flanges mit Flanges / avec flasques / con tapetas	18L050	88050018T	8F	FL058	1108	28	54,57	53,81	60,0	45	-	19,0	22,0	3,0	0,2
		19L050	88050019T	8F	FL059	1108	28	57,61	56,84	64,0	45	-	19,0	22,0	3,0	0,2
		20L050	88050020T	8F	FL060	1108	28	60,64	59,88	66,5	48	-	19,0	22,0	3,0	0,2
		21L050	88050021T	8F	FL061	1108	28	63,67	62,91	70,0	48	-	19,0	22,0	3,0	0,3
		22L050	88050022T	8F	FL062	1108	28	66,70	65,94	75,0	51	-	19,0	22,0	3,0	0,3
		23L050	88050023T	8F	FL063	1108	28	69,73	68,97	79,0	54	-	19,0	22,0	3,0	0,4
		24L050	88050024T	8F	FL063	1108	28	72,77	72,00	79,0	54	-	19,0	22,0	3,0	0,4
		25L050	88050025T	8F	FL064	1108	28	75,80	75,04	82,5	56	-	19,0	22,0	3,0	0,5
		26L050	88050026T	8F	FL065	1108	28	78,83	78,07	86,0	60	-	19,0	22,0	3,0	0,5
		27L050	88050027T	8F	FL065	1108	28	81,86	81,10	86,0	62	-	19,0	22,0	3,0	0,6
		28L050	88050028T	8F	FL066	1108	28	84,89	84,13	91,0	65	-	19,0	22,0	3,0	0,6
		30L050	88050030T	8F	FL068	1108	28	90,96	90,20	97,0	70	-	19,0	22,0	3,0	0,8
		32L050	88050032T	8F	FL070	1108	28	97,02	96,26	102,0	74	-	19,0	22,0	3,0	0,9
		36L050	88050036T	8F	FL074	1108	28	109,15	108,39	115,0	85	-	19,0	22,0	3,0	1,2
		40L050	88050040T	8F	FL078	1610	42	121,28	120,51	128,0	88	-	19,0	25,0	6,0	1,5
		44L050	88050044T	8WF	FL081	1610	42	133,40	132,64	142,0	88	110	19,0	25,0	6,0	1,8
48L050	88050048T	8WF	FL085	1610	42	145,53	144,77	150,0	88	120	19,0	25,0	6,0	2,3		
Ghisa / Cast iron Grauguss / Fonte Hierro fundido	senza flangia / without flanges ohne Flanschen sans flasques / sin tapetas	60L050	88050060T	7W	-	1610	42	181,91	181,15	-	92	166	19,0	25,0	3,0	2,0
		72L050	88050072T	7A	-	1610	42	218,30	217,53	-	92	202	19,0	25,0	3,0	3,0
		84L050	88050084T	7A	-	1610	42	254,68	253,90	-	92	236	19,0	25,0	3,0	4,0
		96L050	88050096T	7A	-	2012	50	291,06	290,30	-	106	270	19,0	32,0	6,5	5,5
		120L050	88050120T	7A	-	2012	50	363,83	363,07	-	106	343	19,0	32,0	6,5	6,8



L 075 - 3/8" (9,525 mm)

Caratteristiche Features Merkmale Características	Codice Code symbol Bezeichnung Code symbole Numero de fabrica	Nostro codice Our code Unser Code Notre code Nuestro codigoo	Tipo Type Typ Type Tipo	Codice flangia Flange code Bordscheiben Typ Code flasque Código brida	Bussola Bush Buchse Moyeu Casquillo	Foro max. Max. Bore Max. Bohrung Alesage max. Agujero max.	Dp	De	Df	Dm	Di	F	S	R	Peso Weight / Gewicht Poids / Peso Kg	
Acciaio / Steel / Stahl Acier / Acero	con flangia / with flanges mit Flanges / avec flasques / con tapetas	18L075	88075018T	3F	FL058	1108	28	54,57	53,81	60,0	-	-	25,0	25,0	-	0,2
		19L075	88075019T	3F	FL059	1108	28	57,61	56,84	64,0	-	-	25,0	25,0	-	0,3
		20L075	88075020T	3F	FL060	1108	28	60,64	59,88	66,5	-	-	25,0	25,0	-	0,3
		21L075	88075021T	3F	FL061	1108	28	63,67	62,91	70,0	-	-	25,0	25,0	-	0,4
		22L075	88075022T	3F	FL062	1108	28	66,70	65,94	75,0	-	-	25,0	25,0	-	0,4
		23L075	88075023T	3F	FL063	1108	28	69,73	68,97	79,0	-	-	25,0	25,0	-	0,4
		24L075	88075024T	3F	FL063	1108	28	72,77	72,00	79,0	-	-	25,0	25,0	-	0,5
		25L075	88075025T	3F	FL064	1108	28	75,80	75,04	82,5	-	-	25,0	25,0	-	0,6
		26L075	88075026T	3F	FL065	1108	28	78,83	78,07	86,0	-	-	25,0	25,0	-	0,6
		27L075	88075027T	3F	FL065	1108	28	81,86	81,10	86,0	-	-	25,0	25,0	-	0,7
		28L075	88075028T	3F	FL066	1108	28	84,89	84,13	91,0	-	-	25,0	25,0	-	0,7
		30L075	88075030T	3F	FL068	1108	28	90,96	90,20	97,0	-	-	25,0	25,0	-	0,9
		32L075	88075032T	3F	FL070	1108	28	97,02	96,26	102,0	-	-	25,0	25,0	-	1,0
		36L075	88075036T	3F	FL074	1108	42	109,15	108,39	115,0	-	-	25,0	25,0	-	1,2
		40L075	88075040T	3F	FL078	1610	42	121,28	120,51	128,0	-	-	25,0	25,0	-	1,7
Ghisa / Cast iron Grauguss / Fonte Hierro fundido	senza flangia without flanges ohne Flanschen sans flasques sin tapetas	44L075	88075044T	3WF	FL081	1610	42	133,40	132,64	142,0	90	110	25,0	25,0	-	2,1
		48L075	88075048T	3WF	FL085	1610	42	145,53	144,77	150,0	92	120	25,0	25,0	-	2,5
		60L075	88075060T	3W	-	1610	42	181,91	181,15	-	92	166	25,0	25,0	-	3,0
		72L075	88075072T	3A	-	1610	42	218,30	217,53	-	92	202	25,0	25,0	-	4,0
		84L075	88075084T	7A	-	2012	50	254,68	253,90	-	92	236	25,0	32,0	3,5	5,2
		96L075	88075096T	7A	-	2012	50	291,06	290,30	-	106	270	25,0	32,0	3,5	6,5
		120L075	88075120T	7A	-	2012	50	363,83	363,07	-	106	343	25,0	32,0	3,5	7,6

L 100 - 3/8" (9,525 mm)

Caratteristiche Features Merkmale Características	Codice Code symbol Bezeichnung Code symbole Numero de fabrica	Nostro codice Our code Unser Code Notre code Nuestro codigoo	Tipo Type Typ Type Tipo	Codice flangia Flange code Bordscheiben Typ Code flasque Código brida	Bussola Bush Buchse Moyeu Casquillo	Foro max. Max. Bore Max. Bohrung Alesage max. Agujero max.	Dp	De	Df	Dm	Di	F	S	R	Peso Weight / Gewicht Poids / Peso Kg	
Acciaio / Steel / Stahl Acier / Acero	con flangia / with flanges mit Flanges / avec flasques / con tapetas	18L100	88100018T	5F	FL058	1108	28	54,57	53,81	60,0	-	38	31,0	22,0	9,0	0,2
		19L100	88100019T	5F	FL059	1108	28	57,61	56,84	64,0	-	38	31,0	22,0	9,0	0,3
		20L100	88100020T	5F	FL060	1108	28	60,64	59,88	66,5	-	45	31,0	22,0	9,0	0,4
		21L100	88100021T	5F	FL061	1108	28	63,67	62,91	70,0	-	45	31,0	22,0	9,0	0,4
		22L100	88100022T	5F	FL062	1108	28	66,70	65,94	75,0	-	48	31,0	22,0	9,0	0,4
		23L100	88100023T	5F	FL063	1108	28	69,73	68,97	79,0	-	52	32,0	22,0	10,0	0,5
		24L100	88100024T	5F	FL063	1108	28	72,77	72,00	79,0	-	52	32,0	22,0	10,0	0,6
		25L100	88100025T	5F	FL064	1108	28	75,80	75,04	82,5	-	54	32,0	22,0	10,0	0,6
		26L100	88100026T	5F	FL065	1108	28	78,83	78,07	86,0	-	60	32,0	22,0	10,0	0,7
		27L100	88100027T	5F	FL065	1108	28	81,86	81,10	86,0	-	60	32,0	22,0	10,0	0,8
		28L100	88100028T	5F	FL066	1108	28	84,89	84,13	91,0	-	65	32,0	22,0	10,0	0,8
		30L100	88100030T	5F	FL068	1210	32	90,96	90,20	97,0	-	71	32,0	25,0	7,0	0,9
		32L100	88100032T	5F	FL070	1210	32	97,02	96,26	102,0	-	75	32,0	25,0	7,0	1,0
		36L100	88100036T	5F	FL074	1610	42	109,15	108,39	115,0	-	86	32,0	25,0	7,0	1,4
		40L100	88100040T	5F	FL078	1610	42	121,28	120,51	128,0	-	96	32,0	25,0	7,0	1,7
Ghisa / Cast iron Grauguss / Fonte Hierro fundido	senza flangia without flanges ohne Flanschen sans flasques sin tapetas	44L100	88100044T	5WF	FL081	1610	42	133,40	132,64	142,0	90	110	32,0	25,0	7,0	2,3
		48L100	88100048T	5WF	FL085	1610	42	145,53	144,77	150,0	92	120	32,0	25,0	7,0	2,7
		60L100	88100060T	9W	-	1610	42	181,91	181,15	-	92	166	32,0	25,0	3,5	2,4
		72L100	88100072T	3A	-	2012	50	218,30	217,53	-	92	202	32,0	32,0	-	4,4
		84L100	88100084T	3A	-	2012	50	254,68	253,90	-	92	236	32,0	32,0	-	6,0
96L100	88100096T	3A	-	2012	50	291,06	290,30	-	106	270	32,0	32,0	-	7,1		
120L100	88100120T	3A	-	2012	50	363,83	363,07	-	106	343	32,0	32,0	-	8,5		