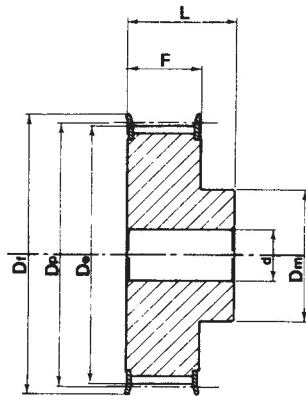
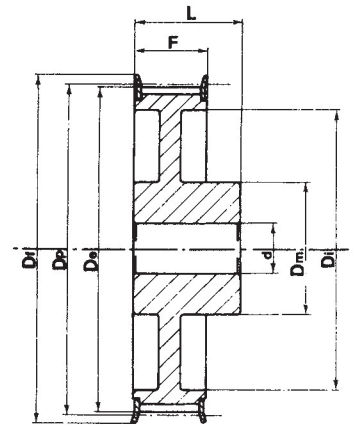


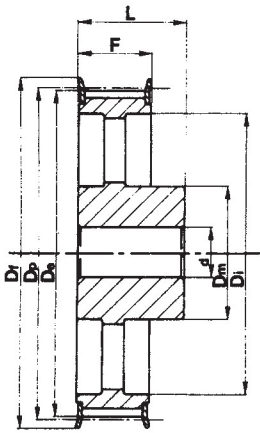
Tipo / Type  
6



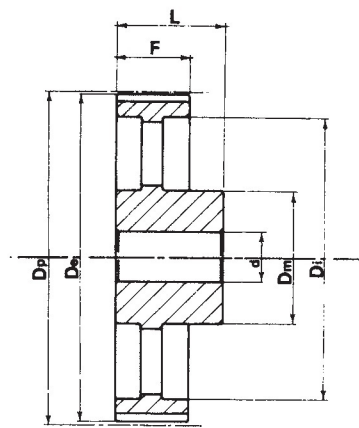
Tipo / Type  
6F



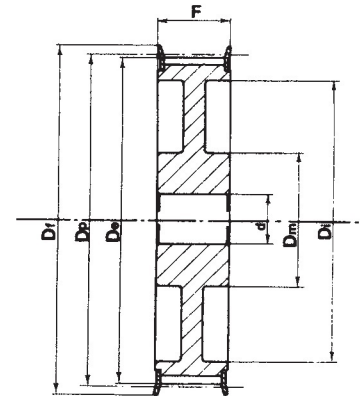
Tipo / Type  
6WF



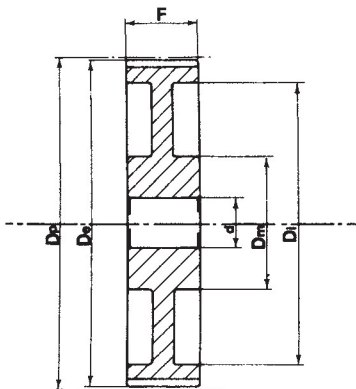
Tipo / Type  
6AF



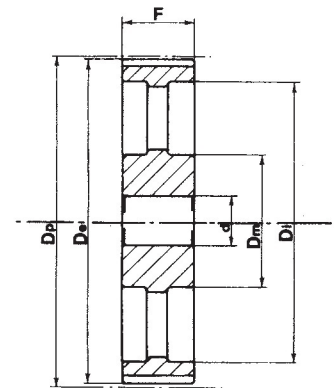
Tipo / Type  
6A



Tipo / Type  
10WF



Tipo / Type  
10W



Tipo / Type  
10A



## HTD® 8M-20

Caratteristiche Features Merkmale Características Características	Code Code symbol Bezeichnung Code symbole Numero de fabrica	Nostro codice Our code Unser Code Notre code Nuestro codigo	Tipo Type Typ Type Tipo	Codice flangia Flange code Bordscheiben Typ Code flasque Código brida	N. denti N. of teeth Zähnezahl N. bre de dents Cantidad de dientes	Dp	De	Df	Dm	Di	F	L	d	Peso Weight / Gewicht Poids / Peso Kg
Acciaio / Steel / Stahl Acier / Acero	<b>22 8M 20</b>	90020022	6F	FL053	22	56,02	54,65	60,0	43,0	-	28	38	12	0,54
	<b>24 8M 20</b>	90020024	6F	FL069	24	61,12	59,75	66,0	45,0	-	28	38	12	0,65
	<b>26 8M 20</b>	90020026	6F	FL061	26	66,21	64,84	70,0	48,0	-	28	38	12	0,80
	<b>28 8M 20</b>	90020028	6F	FL079	28	71,30	69,93	75,0	50,0	-	28	38	15	0,87
	<b>30 8M 20</b>	90020030	6F	FL073	30	76,39	75,02	83,0	55,0	-	28	38	15	1,02
	<b>32 8M 20</b>	90020032	6F	FL076	32	81,49	80,16	87,0	60,0	-	28	38	15	1,20
	<b>34 8M 20</b>	90020034	6F	FL066	34	86,58	85,22	91,0	70,0	-	28	38	15	1,40
	<b>36 8M 20</b>	90020036	6F	FL068	36	91,67	90,30	97,0	75,0	-	28	38	15	1,55
	<b>38 8M 20</b>	90020038	6F	FL070	38	96,77	95,39	102,0	75,0	-	28	38	15	1,65
	<b>40 8M 20</b>	90020040	6F	FL077	40	101,86	100,49	106,0	75,0	-	28	38	15	1,74
	<b>44 8M 20</b>	90020044	6F	FL075	44	112,05	110,67	120,0	75,0	-	28	38	15	2,10
	<b>48 8M 20</b>	90020048	6F	FL078	48	122,23	120,86	128,0	75,0	-	28	38	15	2,44
	<b>56 8M 20</b>	90020056	6WF	FL085	56	142,60	141,23	150,0	80,0	116	28	38	15	2,60
	<b>64 8M 20</b>	90020064	6WF	FL090	64	162,97	161,60	168,0	80,0	137	28	38	15	2,90
<b>72 8M 20</b>	90020072	6WF	FL097	72	183,35	181,97	192,0	80,0	158	28	38	15	3,10	
Ghisa / Cast iron Grauguss / Fonte Hierro fundido	<b>80 8M 20</b>	90020080	6W	-	80	203,72	202,35	-	90,0	180	28	38	15	3,80
	<b>90 8M 20</b>	90020090	6A	-	90	229,18	227,81	-	90,0	204	28	38	15	4,20
	<b>112 8M 20</b>	90020112	6A	-	112	285,21	283,83	-	90,0	254	28	38	18	5,20
	<b>144 8M 20</b>	90020144	6A	-	144	366,69	365,32	-	90,0	336	28	38	20	7,50
	<b>168 8M 20</b>	-	6A	-	168	427,81	426,44	-	100,0	400	28	38	20	10,00
	<b>192 8M 20</b>	-	6A	-	192	488,92	487,55	-	100,0	460	28	38	20	14,40

## HTD® 8M 30

Caratteristiche Features Merkmale Características Características	Code Code symbol Bezeichnung Code symbole Numero de fabrica	Nostro codice Our code Unser Code Notre code Nuestro codigo	Tipo Type Typ Type Tipo	Codice flangia Flange code Bordscheiben Typ Code flasque Código brida	N. denti N. of teeth Zähnezahl N. bre de dents Cantidad de dientes	Dp	De	Df	Dm	Di	F	L	d	Peso Weight / Gewicht Poids / Peso Kg
Acciaio / Steel / Stahl Acier / Acero	<b>22 8M 30</b>	90030022	6F	FL053	22	56,02	54,65	60,0	43,0	-	38	48	12	0,69
	<b>24 8M 30</b>	90030024	6F	FL069	24	61,12	59,75	66,0	45,0	-	38	48	12	0,84
	<b>26 8M 30</b>	90030026	6F	FL061	26	66,21	64,84	70,0	48,0	-	38	48	12	1,00
	<b>28 8M 30</b>	90030028	6F	FL079	28	71,30	69,93	75,0	50,0	-	38	48	15	1,12
	<b>30 8M 30</b>	90030030	6F	FL073	30	76,39	75,02	83,0	55,0	-	38	48	15	1,32
	<b>32 8M 30</b>	90030032	6F	FL076	32	81,49	80,16	87,0	60,0	-	38	48	15	1,53
	<b>34 8M 30</b>	90030034	6F	FL066	34	86,58	85,22	91,0	70,0	-	38	48	15	1,80
	<b>36 8M 30</b>	90030036	6F	FL068	36	91,67	90,30	97,0	75,0	-	38	48	15	1,99
	<b>38 8M 30</b>	90030038	6F	FL070	38	96,77	95,39	102,0	75,0	-	38	48	15	2,27
	<b>40 8M 30</b>	90030040	6F	FL077	40	101,86	100,49	106,0	75,0	-	38	48	15	2,40
	<b>44 8M 30</b>	90030044	6F	FL075	44	112,05	110,67	120,0	75,0	-	38	48	15	2,80
	<b>48 8M 30</b>	90030048	6F	FL078	48	122,23	120,86	128,0	75,0	-	38	48	15	3,20
	<b>56 8M 30</b>	90030056	6WF	FL085	56	142,60	141,23	150,0	90,0	116	38	48	15	3,60
	<b>64 8M 30</b>	90030064	6WF	FL090	64	162,97	161,60	168,0	90,0	137	38	48	15	4,30
<b>72 8M 30</b>	90030072	6WF	FL097	72	183,35	181,97	192,0	95,0	158	38	48	15	4,80	
Ghisa / Cast iron Grauguss / Fonte Hierro fundido	<b>80 8M 30</b>	90030080	6W	-	80	203,72	202,35	-	100,0	180	38	48	15	5,10
	<b>90 8M 30</b>	90030090	6A	-	90	229,18	227,81	-	100,0	204	38	48	15	5,70
	<b>112 8M 30</b>	90030112	6A	-	112	285,21	283,83	-	100,0	254	38	48	18	6,80
	<b>144 8M 30</b>	90030144	6A	-	144	366,69	365,32	-	100,0	336	38	48	20	9,30
	<b>168 8M 30</b>	90030168	6A	-	168	427,81	426,44	-	100,0	400	38	48	20	11,40
	<b>192 8M 30</b>	90030192	6A	-	192	488,92	487,55	-	100,0	460	38	48	20	16,00



## HTD® 8M-50

Caratteristiche Features Merkmal Características	Code Code symbol Bezeichnung Code symbole Numero de fabrica	Nostro codice Our code Unser Code Notre code Nuestro codigo	Tipo Type Typ Type Tipo	Codice flangia Flange code Bordscheiben Typ Code flasque Código brida	N. denti N. of teeth Zähnezahl N. bre de dents Cantidad de dientes	Dp	De	Df	Dm	Di	F	L	d	Peso Weight / Gewicht Poids / Peso Kg	
Acciaio / Steel / Stahl Acier / Acero	con flangia / with flanges mit Flanges / avec flasques con tapetas	<b>22 8M 50</b>	90050022	6F	FL053	22	56,02	54,65	60,0	43,0	-	60	70	12	1,00
		<b>24 8M 50</b>	90050024	6F	FL069	24	61,12	59,75	66,0	45,0	-	60	70	12	1,23
		<b>26 8M 50</b>	90050026	6F	FL061	26	66,21	64,84	70,0	48,0	-	60	70	15	1,50
		<b>28 8M 50</b>	90050028	6F	FL079	28	71,30	69,93	75,0	50,0	-	60	70	15	1,67
		<b>30 8M 50</b>	90050030	6F	FL073	30	76,39	75,02	83,0	55,0	-	60	70	15	1,97
		<b>32 8M 50</b>	90050032	6F	FL076	32	81,49	80,16	87,0	60,0	-	60	70	15	2,27
		<b>34 8M 50</b>	90050034	6F	FL066	34	86,58	85,22	91,0	70,0	-	60	70	15	2,69
		<b>36 8M 50</b>	90050036	6F	FL068	36	91,67	90,30	97,0	75,0	-	60	70	15	2,97
		<b>38 8M 50</b>	90050038	6F	FL070	38	96,77	95,39	102,0	75,0	-	60	70	15	3,23
		<b>40 8M 50</b>	90050040	6F	FL077	40	101,86	100,49	106,0	75,0	-	60	70	18	3,50
		<b>44 8M 50</b>	90050044	6F	FL075	44	112,05	110,67	120,0	75,0	-	60	70	18	3,90
		<b>48 8M 50</b>	90050048	6F	FL078	48	122,23	120,86	128,0	75,0	-	60	70	18	4,30
		<b>56 8M 50</b>	90050056	10WF	FL085	56	142,60	141,23	150,0	80,0	116	60	60	18	5,00
		<b>64 8M 50</b>	90050064	10WF	FL090	64	162,97	161,60	168,0	80,0	137	60	60	18	5,60
<b>72 8M 50</b>	90050072	10WF	FL097	72	183,35	181,97	192,0	80,0	158	60	60	18	6,80		
Ghisa / Cast iron Grauguss / Fonte Hierro fundido	senza flangia / without flanges / ohne Flanschen sans flasques / sin tapetas	<b>80 8M 50</b>	90050080	10W	-	80	203,72	202,35	-	110,0	180	60	60	18	6,90
		<b>90 8M 50</b>	90050090	10A	-	90	229,18	227,81	-	110,0	204	60	60	18	8,60
		<b>112 8M 50</b>	90050112	10A	-	112	285,21	283,83	-	110,0	254	60	60	18	9,60
		<b>144 8M 50</b>	90050144	10A	-	144	366,69	365,32	-	110,0	336	60	60	20	13,80
		<b>168 8M 50</b>	90050168	10A	-	168	427,81	426,44	-	120,0	400	60	60	20	16,00
		<b>192 8M 50</b>	90050192	10A	-	192	488,92	487,55	-	130,0	460	60	60	20	22,40

## HTD® 8M-85

Caratteristiche Features Merkmal Características	Code Code symbol Bezeichnung Code symbole Numero de fabrica	Nostro codice Our code Unser Code Notre code Nuestro codigo	Tipo Type Typ Type Tipo	Codice flangia Flange code Bordscheiben Typ Code flasque Código brida	N. denti N. of teeth Zähnezahl N. bre de dents Cantidad de dientes	Dp	De	Df	Dm	Di	F	L	d	Peso Weight / Gewicht Poids / Peso Kg	
Acciaio / Steel / Stahl Acier / Acero	con flangia / with flanges mit Flanges / avec flasques con tapetas	<b>22 8M 85</b>	90085022	6F	FL053	22	56,02	54,65	60,0	43,0	-	95	105	12	1,55
		<b>24 8M 85</b>	90085024	6F	FL069	24	61,12	59,75	66,0	45,0	-	95	105	12	1,90
		<b>26 8M 85</b>	90085026	6F	FL061	26	66,21	64,84	70,0	48,0	-	95	105	12	2,25
		<b>28 8M 85</b>	90085028	6F	FL079	28	71,30	69,93	75,0	50,0	-	95	105	15	2,55
		<b>30 8M 85</b>	90085030	6F	FL073	30	76,39	75,02	83,0	55,0	-	95	105	15	3,00
		<b>32 8M 85</b>	90085032	6F	FL076	32	81,49	80,16	87,0	60,0	-	95	105	15	3,57
		<b>34 8M 85</b>	90085034	6F	FL066	34	86,58	85,22	91,0	66,0	-	95	105	15	4,00
		<b>36 8M 85</b>	90085036	6F	FL068	36	91,67	90,30	97,0	70,0	-	95	105	15	4,50
		<b>38 8M 85</b>	90085038	6F	FL070	38	96,77	95,39	102,0	75,0	-	95	105	15	5,00
		<b>40 8M 85</b>	90085040	6F	FL077	40	101,86	100,49	106,0	75,0	-	95	105	18	5,20
		<b>44 8M 85</b>	90085044	6F	FL075	44	112,05	110,67	120,0	75,0	-	95	105	18	6,60
		<b>48 8M 85</b>	90085048	6F	FL078	48	122,23	120,86	128,0	80,0	-	95	105	18	7,00
		<b>56 8M 85</b>	90085056	6F	FL085	56	142,60	141,23	150,0	90,0	-	95	105	18	10,00
		<b>64 8M 85</b>	90085064	10WF	FL090	64	162,97	161,60	168,0	100,0	137	95	95	20	10,40
<b>72 8M 85</b>	90085072	10WF	FL097	72	183,35	181,97	192,0	100,0	158	95	95	20	11,40		
Ghisa / Cast iron Grauguss / Fonte Hierro fundido	senza flangia / without flanges / ohne Flanschen sans flasques / sin tapetas	<b>80 8M 85</b>	90085080	10W	-	80	203,72	202,35	-	110,0	180	95	95	20	11,10
		<b>90 8M 85</b>	90085090	10A	-	90	229,18	227,81	-	110,0	204	95	95	20	12,20
		<b>112 8M 85</b>	90085112	10A	-	112	285,21	283,83	-	110,0	254	95	95	24	15,00
		<b>144 8M 85</b>	90085144	10A	-	144	366,69	365,32	-	110,0	336	95	95	24	21,50
		<b>168 8M 85</b>	90085168	10A	-	168	427,81	426,44	-	120,0	400	95	95	24	24,10
		<b>192 8M 85</b>	90085192	10A	-	192	488,92	487,55	-	130,0	460	95	95	24	30,60