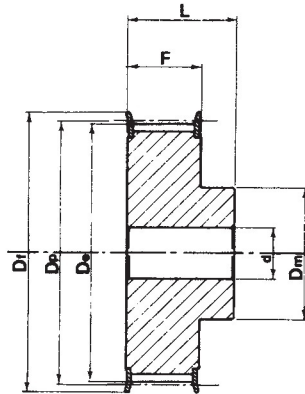
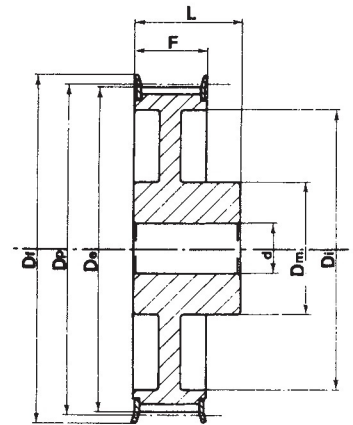


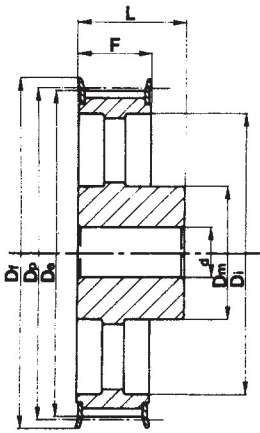
Tipo / Type
6



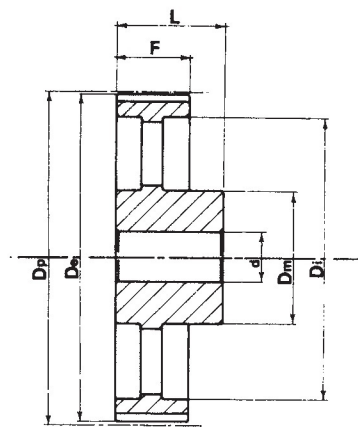
Tipo / Type
6F



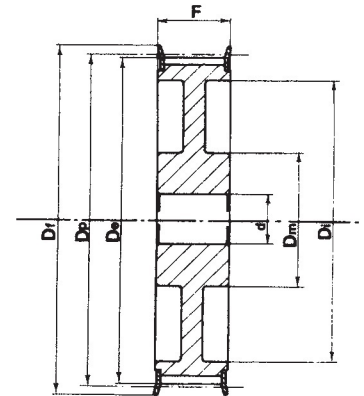
Tipo / Type
6WF



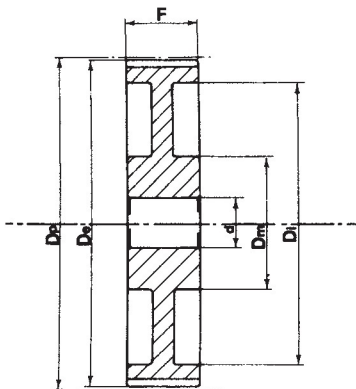
Tipo / Type
6AF



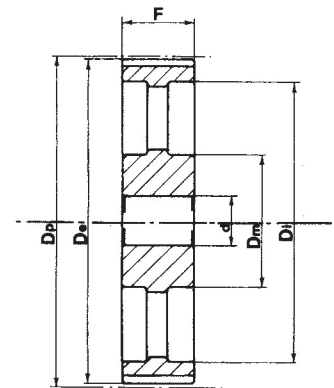
Tipo / Type
6A



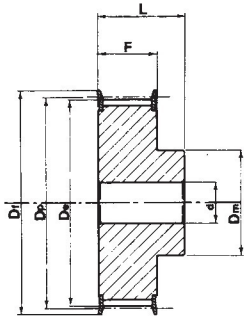
Tipo / Type
10WF



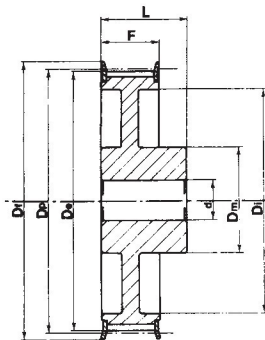
Tipo / Type
10W



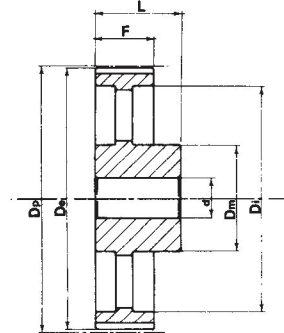
Tipo / Type
10A



**Tipo / Type
6F**



**Tipo / Type
6WF**



**Tipo / Type
6A**

HTD® 14M-40

Caratteristiche Features Merkmale Características	Codice Code symbol Bezeichnung Code symbole Numero de fabrica	Nostro codice Our code Unser Code Notre code Nuestro código	Tipo Type Typ Type Tipo	Codice flangia Flange code Bordscheiben Typ Code flasque Código brida	N. denti N. of teeth Zähnezahl N. bre de dents Cantidad de dientes	Dp	De	Df	Dm	Di	F	L	d	Peso Weight / Gewicht Poids / Peso Kg
Acciaio / Steel / Stahl Acier / Acero	28 14M 40	91040028	6F	FL153	28	124,78	122,12	128,0	100,0	-	54	69	24	4,73
	29 14M 40	91040029	6F	FL154	29	129,23	126,57	138,0	100,0	-	54	69	24	5,09
	30 14M 40	91040030	6F	FL154	30	133,69	130,99	138,0	100,0	-	54	69	24	5,45
	32 14M 40	91040032	6F	FL160	32	142,60	139,88	154,0	100,0	-	54	69	24	6,17
	34 14M 40	91040034	6F	FL166	34	151,52	148,79	160,0	100,0	-	54	69	24	6,88
	36 14M 40	91040036	6F	FL168	36	160,43	157,68	168,0	100,0	-	54	69	24	7,60
	38 14M 40	91040038	6F	FL172	38	169,34	166,60	183,0	120,0	-	54	69	24	8,28
	40 14M 40	91040040	6F	FL162	40	178,25	175,49	188,0	120,0	-	54	69	24	9,26
	44 14M 40	91040044	6F	FL175	44	196,08	193,28	211,0	120,0	-	54	69	24	10,32
Ghisa / Cast iron Grauguss / Fonte Hierro fundido	48 14M 40	91040048	6WF	FL180	48	213,90	211,11	226,0	135,0	170	54	69	24	11,50
	56 14M 40	91040056	6WF	FL182	56	249,55	246,76	256,0	135,0	207	54	69	28	13,05
	64 14M 40	91040064	6WF	FL184	64	285,21	282,41	296,0	135,0	240	54	69	28	14,40
	72 14M 40	91040072	6A	-	72	320,86	318,06	-	135,0	280	54	69	28	16,90
	80 14M 40	91040080	6A	-	80	356,51	353,71	-	135,0	314	54	69	28	18,50
	90 14M 40	91040090	6A	-	90	401,07	398,28	-	135,0	358	54	69	28	20,00
	112 14M 40	91040112	6A	-	112	499,11	496,32	-	135,0	456	54	69	28	26,70
	144 14M 40		6A	-	144	641,71	638,92	-	135,0	600	54	69	28	35,00
	168 14M 40		6A	-	168	748,66	745,87	-	135,0	706	54	69	28	44,20
	192 14M 40		6A	-	192	855,62	852,82	-	135,0	813	54	69	28	52,20
216 14M 40		6A	-	216	962,57	959,76	-	150,0	920	54	69	28	62,50	



HTD® 14M-55

Caratteristiche Features Merkmale Caractéristiques Características	Codice Code symbol Bezeichnung Code symbole Numero de fabrica	Nostro codice Our code Unser Code Notre code Nuestro codigo	Tipo Type Typ Type Tipo	Codice flangia Flange code Bordscheiben Typ Code flasque Código brida	N. denti N. of teeth Zähnezahl N. bre de dents Cantidad de dientes	Dp	De	Df	Dm	Di	F	L	d	Peso Weight / Gewicht Poids / Peso Kg
Acciaio / Steel / Stahl Acier / Acero	con flangia / with flanges mit Flanges / avec flasques con tapetas	28 14M 55	6F	FL153	28	124,78	122,12	128,0	100,0	-	70	85	24	5,60
		29 14M 55	6F	FL154	29	129,23	126,57	138,0	100,0	-	70	85	24	6,10
		30 14M 55	6F	FL154	30	133,69	130,99	138,0	100,0	-	70	85	24	6,60
		32 14M 55	6F	FL160	32	142,60	139,88	154,0	100,0	-	70	85	24	7,60
		34 14M 55	6F	FL166	34	151,52	148,79	160,0	100,0	-	70	85	24	8,60
		36 14M 55	6F	FL168	36	160,43	157,68	168,0	100,0	-	70	85	24	9,60
		38 14M 55	6F	FL172	38	169,34	166,60	183,0	120,0	-	70	85	24	10,80
		40 14M 55	6F	FL162	40	178,25	175,49	188,0	120,0	-	70	85	24	11,20
		44 14M 55	6F	FL175	44	196,08	193,28	211,0	120,0	-	70	85	24	12,50
Ghisa / Cast iron Grauguss / Fonte Hierro fundido	con flangia / with flanges mit Flanges / avec flasques con tapetas	48 14M 55	10WF	FL180	48	213,90	211,11	226,0	135,0	170	70	70	24	13,70
		56 14M 55	10WF	FL182	56	249,55	246,76	256,0	135,0	207	70	70	28	14,50
		64 14M 55	10WF	FL184	64	285,21	282,41	296,0	135,0	240	70	70	28	15,60
	senza flangia / without flanges / ohne Flanschen sans flasques / sin tapetas	72 14M 55	10A	-	72	320,86	318,06	-	135,0	280	70	70	28	16,90
		80 14M 55	10A	-	80	356,51	353,71	-	135,0	314	70	70	28	20,00
		90 14M 55	10A	-	90	401,07	398,28	-	135,0	358	70	70	28	22,60
		112 14M 55	10A	-	112	499,11	496,32	-	135,0	456	70	70	28	29,50
		144 14M 55	10A	-	144	641,71	638,92	-	135,0	600	70	70	28	39,00
		168 14M 55	10A	-	168	748,66	745,87	-	135,0	706	70	70	28	48,50
		192 14M 55	10A	-	192	855,62	852,82	-	135,0	813	70	70	28	57,80
216 14M 55	10A	-	216	962,57	959,76	-	150,0	920	70	70	28	67,00		

HTD® 14M-85

Caratteristiche Features Merkmale Caractéristiques Características	Codice Code symbol Bezeichnung Code symbole Numero de fabrica	Nostro codice Our code Unser Code Notre code Nuestro codigo	Tipo Type Typ Type Tipo	Codice flangia Flange code Bordscheiben Typ Code flasque Código brida	N. denti N. of teeth Zähnezahl N. bre de dents Cantidad de dientes	Dp	De	Df	Dm	Di	F	L	d	Peso Weight / Gewicht Poids / Peso Kg
Acciaio / Steel / Stahl Acier / Acero	con flangia / with flanges mit Flanges / avec flasques con tapetas	28 14M 85	6F	FL153	28	124,78	122,12	128,0	100,0	-	102	117	24	7,70
		29 14M 85	6F	FL154	29	129,23	126,57	138,0	100,0	-	102	117	24	8,40
		30 14M 85	6F	FL154	30	133,69	130,99	138,0	100,0	-	102	117	24	9,10
		32 14M 85	6F	FL160	32	142,60	139,88	154,0	100,0	-	102	117	24	10,50
		34 14M 85	6F	FL166	34	151,52	148,79	160,0	100,0	-	102	117	24	11,90
		36 14M 85	6F	FL168	36	160,43	157,68	168,0	100,0	-	102	117	32	13,20
		38 14M 85	6F	FL172	38	169,34	166,60	183,0	120,0	-	102	117	32	15,15
		40 14M 85	6F	FL162	40	178,25	175,49	188,0	135,0	-	102	117	32	17,10
		44 14M 85	6F	FL175	44	196,08	193,28	211,0	135,0	-	102	117	32	23,30
Ghisa / Cast iron Grauguss / Fonte Hierro fundido	con flangia / with flanges mit Flanges / avec flasques con tapetas	48 14M 85	6F	FL180	48	213,90	211,11	226,0	150,0	-	102	117	32	25,00
		56 14M 85	10WF	FL182	56	249,55	246,76	256,0	150,0	207	102	102	32	25,00
		64 14M 85	10WF	FL184	64	285,21	282,41	296,0	150,0	240	102	102	32	30,50
	senza flangia / without flanges / ohne Flanschen sans flasques / sin tapetas	72 14M 85	10A	-	72	320,86	318,06	-	150,0	278	102	102	32	28,80
		80 14M 85	10A	-	80	356,51	353,71	-	150,0	314	102	102	32	30,10
		90 14M 85	10A	-	90	401,07	398,28	-	150,0	358	102	102	32	33,00
		112 14M 85	10A	-	112	499,11	496,32	-	150,0	456	102	102	32	41,80
		144 14M 85	10A	-	144	641,71	638,92	-	150,0	600	102	102	32	52,40
		168 14M 85	10A	-	168	748,66	745,87	-	150,0	706	102	102	32	60,30
		192 14M 85	10A	-	192	855,62	852,82	-	165,0	813	102	102	32	70,20
216 14M 85	10A	-	216	962,57	959,76	-	160,0	920	102	102	32	81,00		



HTD® 14M-115

Caratteristiche Features Merkmale Características Características	Codice Code symbol Bezeichnung Code symbole Numero de fabrica	Nostro codice Our code Unser Code Notre code Nuestro codigo	Tipo Type Typ Tipo	Codice flangia Flange code Bordscheiben Typ Code flasque Código brida	N. denti N. of teeth Zähnezahl N. bre de dents Cantidad de dientes	Dp	De	Df	Dm	Di	F	L	d	Peso Weight / Gewicht Poids / Peso Kg
Acciaio / Steel / Stahl Acier / Acero	28 14M 115	91115028	6F	FL153	28	124,78	122,12	128,0	100,0	-	133	148	32	9,20
	29 14M 115	91115029	6F	FL154	29	129,23	126,57	138,0	100,0	-	133	148	32	10,20
	30 14M 115	91115030	6F	FL154	30	133,69	130,99	138,0	100,0	-	133	148	32	11,20
	32 14M 115	91115032	6F	FL160	32	142,60	139,88	154,0	100,0	-	133	148	32	13,20
	34 14M 115	91115034	6F	FL166	34	151,52	148,79	160,0	100,0	-	133	148	32	14,80
	36 14M 115	91115036	6F	FL168	36	160,43	157,68	168,0	100,0	-	133	148	32	16,60
	38 14M 115	91115038	6F	FL172	38	169,34	166,60	183,0	120,0	-	133	148	32	19,20
	40 14M 115	91115040	6F	FL162	40	178,25	175,49	188,0	135,0	-	133	148	32	20,56
	44 14M 115	91115044	6F	FL175	44	196,08	193,28	211,0	140,0	-	133	148	32	21,93
	48 14M 115	91115048	6F	FL180	48	213,90	211,11	226,0	150,0	-	133	148	32	25,00
	56 14M 115	91115056	6F	FL182	56	249,55	246,76	256,0	150,0	-	133	148	32	27,50
	64 14M 115	91115064	10WF	FL184	64	285,21	282,41	296,0	150,0	240	133	133	32	30,10
Ghisa / Cast iron Grauguss / Fonte Hierro fundido	72 14M 115	91115072	10A	-	72	320,86	318,06	-	150,0	278	133	133	32	32,83
	80 14M 115	91115080	10A	-	80	356,51	353,71	-	150,0	314	133	133	32	35,55
	90 14M 115	91115090	10A	-	90	401,07	398,28	-	150,0	358	133	133	32	41,00
	112 14M 115	91115112	10A	-	112	499,11	496,32	-	150,0	456	133	133	32	54,40
	144 14M 115	91115144	10A	-	144	641,71	638,92	-	165,0	600	133	133	32	67,80
	168 14M 115	91115168	10A	-	168	748,66	745,87	-	165,0	706	133	133	32	75,80
	192 14M 115	91115192	10A	-	192	855,62	852,82	-	165,0	813	133	133	32	88,30
	216 14M 115		10A	-	216	962,57	959,76	-	165,0	920	133	133	32	98,00

HTD® 14M-170

Caratteristiche Features Merkmale Características Características	Codice Code symbol Bezeichnung Code symbole Numero de fabrica	Nostro codice Our code Unser Code Notre code Nuestro codigo	Tipo Type Typ Tipo	Codice flangia Flange code Bordscheiben Typ Code flasque Código brida	N. denti N. of teeth Zähnezahl N. bre de dents Cantidad de dientes	Dp	De	Df	Dm	Di	F	L	d	Peso Weight / Gewicht Poids / Peso Kg
Acciaio / Steel / Stahl Acier / Acero	28 14M 170	91170028	6F	FL153	28	124,78	122,12	128,0	100,0	-	187	202	32	9,20
	29 14M 170	91170029	6F	FL154	29	129,23	126,57	138,0	100,0	-	187	202	32	10,20
	30 14M 170	91170030	6F	FL154	30	133,69	130,99	138,0	100,0	-	187	202	32	11,20
	32 14M 170	91170032	6F	FL160	32	142,60	139,88	154,0	100,0	-	187	202	32	13,20
	34 14M 170	91170034	6F	FL166	34	151,52	148,79	160,0	100,0	-	187	202	32	14,80
	36 14M 170	91170036	6F	FL168	36	160,43	157,68	168,0	100,0	-	187	202	32	16,60
	38 14M 170	91170038	6F	FL172	38	169,34	166,60	183,0	120,0	-	187	202	32	19,20
	40 14M 170	91170040	6F	FL162	40	178,25	175,49	188,0	135,0	-	187	202	32	20,56
	44 14M 170		6F	FL175	44	196,08	193,28	211,0	140,0	-	187	202	32	21,93
	48 14M 170	91170048	6F	FL180	48	213,90	211,11	226,0	150,0	-	187	202	32	25,00
	56 14M 170	91170056	6F	FL182	56	249,55	246,76	256,0	150,0	-	187	202	32	27,50
	64 14M 170		10WF	FL184	64	285,21	282,41	296,0	150,0	240	187	187	32	30,10
Ghisa / Cast iron Grauguss / Fonte Hierro fundido	72 14M 170		10A	-	72	320,86	318,06	-	150,0	278	187	187	32	32,83
	80 14M 170	91170080	10A	-	80	356,51	353,71	-	150,0	314	187	187	32	35,55
	90 14M 170	91170090	10A	-	90	401,07	398,28	-	150,0	358	187	187	32	41,00
	112 14M 170	91170112	10A	-	112	499,11	496,32	-	150,0	456	187	187	32	54,40
	144 14M 170		10A	-	144	641,71	638,92	-	165,0	600	187	187	32	67,80
	168 14M 170		10A	-	168	748,66	745,87	-	165,0	706	187	187	32	75,80
	192 14M 170		10A	-	192	855,62	852,82	-	165,0	813	187	187	32	88,30
	216 14M 170		10A	-	216	962,57	959,76	-	165,0	920	187	187	32	98,00