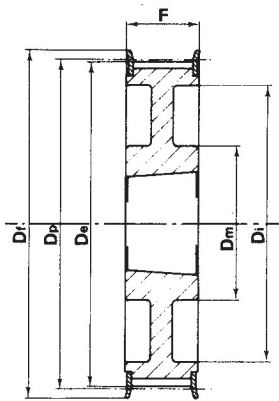
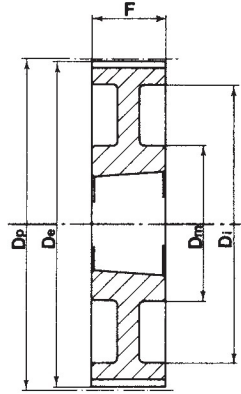


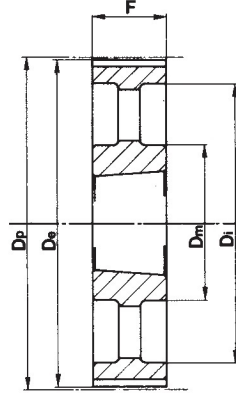
Tipo / Type  
3F



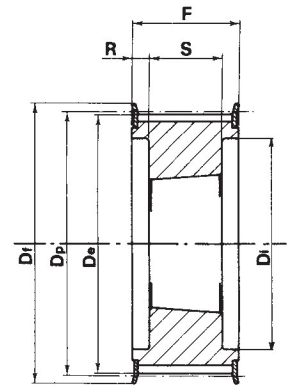
Tipo / Type  
3WF



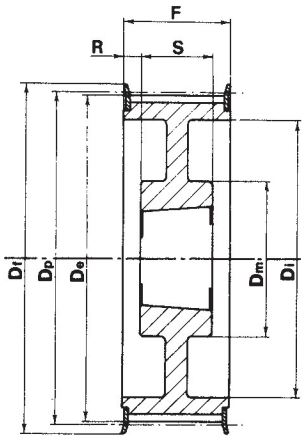
Tipo / Type  
3W



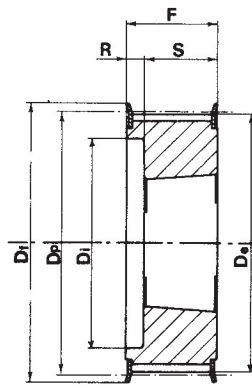
Tipo / Type  
3A



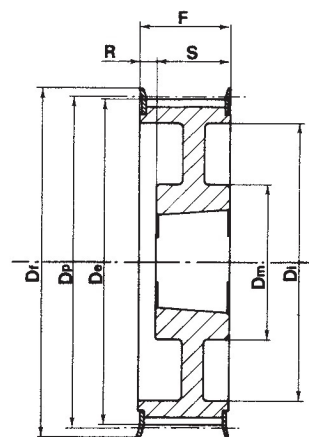
Tipo / Type  
4F



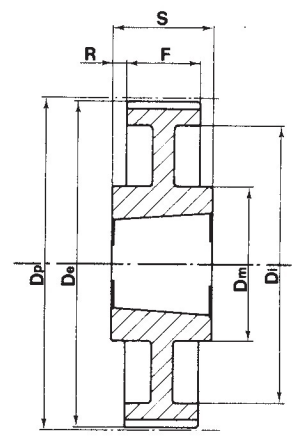
Tipo / Type  
4WF



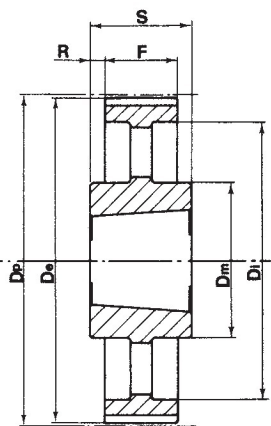
Tipo / Type  
5F



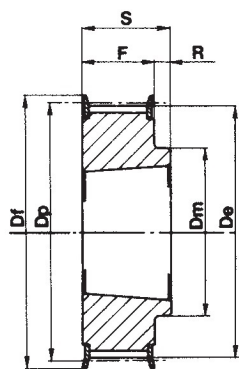
Tipo / Type  
5WF



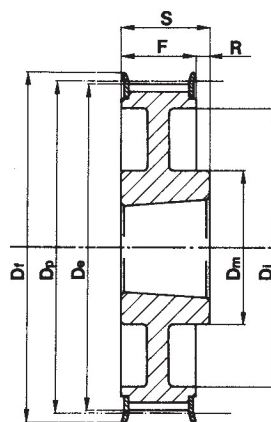
Tipo / Type  
7W



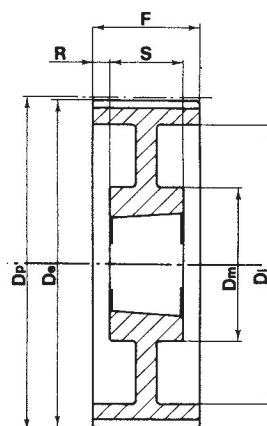
Tipo / Type  
7A



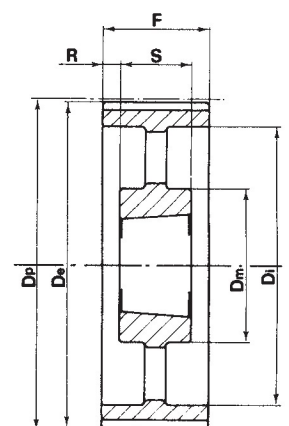
Tipo / Type  
8F



Tipo / Type  
8WF



Tipo / Type  
9W



Tipo / Type  
9A



## H 100 - 1/2" (12,7 mm)

Caratteristiche Features Merkmale Características Características	Codice Code symbol Bezeichnung Code symbole Numero de fabrica	Nostro codice Our code Unser Code Notre code Nuestro código	Tipo Type Typ Type Tipo	Codice flangia Flange code Bordscheiben Typ Code flasque Código brida	Bussola Bush Buchse Moyeu Casquillo	Foro max. Max. Bore Max. Bohrung Alesage max. Agujero max.	Dp	De	Df	Dm	Di	F	S	R	Peso Weight / Gewicht Poids / Peso Kg	
Acciaio / Steel / Stahl Acier / Acero	con flangia / with flanges mit Flanges / avec flasques / con tapetas	<b>16H100</b>	89100016T	5F	FL061	1108	28	64,68	63,31	70,0	-	45	31,0	22,0	9,0	0,4
		<b>18H100</b>	89100018T	5F	FL063	1210	32	72,77	71,39	79,0	-	52	31,0	25,0	6,0	0,5
		<b>19H100</b>	89100019T	5F	FL064	1210	32	76,81	75,44	82,5	-	56	31,0	25,0	6,0	0,6
		<b>20H100</b>	89100020T	5F	FL076	1210	32	80,55	79,48	87,0	-	60	31,0	25,0	6,0	0,7
		<b>21H100</b>	89100021T	5F	FL066	1210	32	84,89	83,52	91,0	-	64	32,0	25,0	7,0	0,8
		<b>22H100</b>	89100022T	5F	FL067	1210	32	88,94	87,56	94,0	-	67	32,0	25,0	7,0	0,9
		<b>23H100</b>	89100023T	5F	FL068	1610	42	92,98	91,61	97,0	-	70	32,0	25,0	7,0	0,9
		<b>24H100</b>	89100024T	5F	FL070	1610	42	97,02	95,65	102,0	-	74	32,0	25,0	7,0	1,0
		<b>25H100</b>	89100025T	5F	FL071	1610	42	101,06	99,69	106,0	-	77	32,0	25,0	7,0	1,0
		<b>26H100</b>	89100026T	5F	FL072	1610	42	105,11	103,73	112,0	-	82	32,0	25,0	7,0	1,2
		<b>27H100</b>	89100027T	5F	FL074	1610	42	109,15	107,78	115,0	-	85	32,0	25,0	7,0	1,3
		<b>28H100</b>	89100028T	5F	FL075	1610	42	113,19	111,82	120,0	-	90	32,0	25,0	7,0	1,5
		<b>30H100</b>	89100030T	5F	FL078	1610	42	121,28	119,90	128,0	-	98	32,0	25,0	7,0	1,7
		<b>32H100</b>	89100032T	5WF	FL080	1610	42	129,36	127,99	135,0	80	106	32,0	25,0	7,0	2,0
		<b>36H100</b>	89100036T	5WF	FL085	1610	42	145,53	144,16	150,0	92	121	32,0	25,0	7,0	2,7
		<b>40H100</b>	89100040T	5WF	FL090	1610	42	161,70	160,33	168,0	92	138	32,0	25,0	7,0	3,6
<b>44H100</b>	89100044T	3WF	FL095	2012	50	177,87	176,50	184,0	106	152	32,0	32,0	-	3,8		
<b>48H100</b>	89100048T	3WF	FL100	2012	50	194,04	192,67	200,0	106	169	32,0	32,0	-	3,2		
Ghisa / Cast iron Grauguss / Fonte Hierro fundido	senza flangia without flanges ohne Flanschen sans flasques sin tapetas	<b>60H100</b>	89100060T	9A	-	2012	50	242,55	241,18	-	92	223	34,0	32,0	1,0	4,8
		<b>72H100</b>	89100072T	9A	-	2012	50	291,06	289,69	-	92	270	34,0	32,0	1,0	5,7
		<b>84H100</b>	89100084T	9A	-	2012	50	339,57	338,20	-	92	318	34,0	32,0	1,0	6,8
		<b>96H100</b>	89100096T	7A	-	2517	60	388,08	386,71	-	106	366	34,0	45,0	5,5	8,2
		<b>120H100</b>	89100120T	7A	-	2517	60	485,10	483,73	-	106	462	34,0	45,0	5,5	12,1

## H 150 - 1/2" (12,7 mm)

Caratteristiche Features Merkmale Características Características	Codice Code symbol Bezeichnung Code symbole Numero de fabrica	Nostro codice Our code Unser Code Notre code Nuestro código	Tipo Type Typ Type Tipo	Codice flangia Flange code Bordscheiben Typ Code flasque Código brida	Bussola Bush Buchse Moyeu Casquillo	Foro max. Max. Bore Max. Bohrung Alesage max. Agujero max.	Dp	De	Df	Dm	Di	F	S	R	Peso Weight / Gewicht Poids / Peso Kg	
Acciaio / Steel / Stahl Acier / Acero	con flangia / with flanges mit Flanges / avec flasques / con tapetas	<b>18H150</b>	89150018T	5F	FL063	1210	32	72,77	71,39	79,0	-	52	45,0	25,0	20,0	0,6
		<b>19H150</b>	89150019T	5F	FL064	1210	32	76,81	75,44	82,5	-	56	45,0	25,0	20,0	0,7
		<b>20H150</b>	89150020T	5F	FL076	1210	32	80,55	79,48	87,0	-	60	45,0	25,0	20,0	0,8
		<b>21H150</b>	89150021T	5F	FL066	1210	32	84,89	83,52	91,0	-	64	45,0	25,0	20,0	1,0
		<b>22H150</b>	89150022T	5F	FL067	1210	32	88,94	87,56	94,0	-	67	45,0	25,0	20,0	1,2
		<b>23H150</b>	89150023T	5F	FL068	1610	42	92,98	91,61	97,0	-	70	45,0	25,0	20,0	1,3
		<b>24H150</b>	89150024T	5F	FL070	1610	42	97,02	95,65	102,0	-	74	45,0	25,0	20,0	1,0
		<b>25H150</b>	89150025T	5F	FL071	1610	42	101,06	99,69	106,0	-	77	45,0	25,0	20,0	1,2
		<b>26H150</b>	89150026T	5F	FL072	1610	42	105,11	103,73	112,0	-	82	45,0	25,0	20,0	1,4
		<b>27H150</b>	89150027T	5F	FL074	1610	42	109,15	107,78	115,0	-	85	45,0	25,0	20,0	1,6
		<b>28H150</b>	89150028T	5F	FL075	1610	42	113,19	111,82	120,0	-	90	45,0	25,0	20,0	1,8
		<b>30H150</b>	89150030T	5F	FL078	1610	42	121,28	119,90	128,0	-	98	45,0	25,0	20,0	2,3
		<b>32H150</b>	89150032T	5WF	FL080	1610	42	129,36	127,99	135,0	80	106	45,0	25,0	20,0	2,3
		<b>36H150</b>	89150036T	5WF	FL085	1610	42	145,53	144,16	150,0	92	121	45,0	25,0	20,0	3,1
		<b>40H150</b>	89150040T	5WF	FL090	1610	42	161,70	160,33	168,0	92	138	45,0	25,0	20,0	4,0
		<b>44H150</b>	89150044T	5WF	FL095	2012	50	177,87	176,50	184,0	106	152	45,0	32,0	13,0	4,4
<b>48H150</b>	89150048T	5WF	FL100	2012	50	194,04	192,67	200,0	106	169	45,0	32,0	13,0	4,8		
Ghisa / Cast iron Grauguss / Fonte Hierro fundido	senza flangia without flanges ohne Flanschen sans flasques sin tapetas	<b>60H150</b>	89150060T	9A	-	2012	50	242,55	241,18	-	92	223	46,0	32,0	7,5	5,4
		<b>72H150</b>	89150072T	9A	-	2012	50	291,06	289,69	-	92	270	46,0	32,0	7,5	6,5
		<b>84H150</b>	89150084T	9A	-	2012	50	339,57	338,20	-	92	318	46,0	32,0	7,5	8,4
		<b>96H150</b>	89150096T	9A	-	2517	60	388,08	386,71	-	106	366	46,0	45,0	0,5	11,0
		<b>120H150</b>	89150120T	9A	-	2517	60	485,10	483,73	-	106	462	46,0	45,0	0,5	14,8





## H 200 - 1/2" (12,7 mm)

Caratteristiche Features Merkmale Características	Codice Code symbol Bezeichnung Code symbole Numero de fabrica	Nostro codice Our code Unser Code Notre code Nuestro codigo	Tipo Type Typ Type Tipo	Codice flangia Flange code Bordscheiben Typ Code flasque Código brida	Bussola Bush Buchse Moyeu Casquillo	Foro max. Max. Bore Max. Bohrung Alesage max. Agujero max.	Dp	De	Df	Dm	Di	F	S	R	Peso Weight / Gewicht Poids / Peso Kg	
Acciaio / Steel / Stahl Acier / Acero	con flangia / with flanges mit Flanges / avec flasques / con tapetas	<b>18H200</b>	89200018T	5F	FL063	1210	32	72,77	71,39	79,0	-	52	58,0	25,0	33,0	0,8
		<b>19H200</b>	89200019T	5F	FL064	1210	32	76,81	75,44	82,5	-	56	58,0	25,0	33,0	0,9
		<b>20H200</b>	89200020T	5F	FL076	1610	42	80,55	79,48	87,0	-	60	58,0	25,0	33,0	1,0
		<b>21H200</b>	89200021T	5F	FL066	1610	42	84,89	83,52	91,0	-	64	58,0	25,0	33,0	1,7
		<b>22H200</b>	89200022T	5F	FL067	1610	42	88,94	87,56	94,0	-	67	58,0	25,0	33,0	1,5
		<b>23H200</b>	89200023T	5F	FL068	1610	42	92,98	91,61	97,0	-	70	58,0	25,0	33,0	1,8
		<b>24H200</b>	89200024T	5F	FL070	1610	42	97,02	95,65	102,0	-	74	58,0	25,0	33,0	1,5
		<b>25H200</b>	89200025T	5F	FL071	1610	42	101,06	99,69	106,0	-	77	58,0	25,0	33,0	1,5
		<b>26H200</b>	89200026T	5F	FL072	1610	42	105,11	103,73	112,0	-	82	58,0	25,0	33,0	1,8
		<b>27H200</b>	89200027T	5F	FL074	1610	42	109,15	107,78	115,0	-	85	58,0	25,0	33,0	1,9
		<b>28H200</b>	89200028T	5F	FL075	1610	42	113,19	111,82	120,0	-	90	58,0	25,0	33,0	1,9
		<b>30H200</b>	89200030T	5F	FL078	1610	42	121,28	119,90	128,0	-	98	58,0	25,0	33,0	2,3
		<b>32H200</b>	89200032T	5F	FL080	2012	50	129,36	127,99	135,0	-	106	58,0	32,0	26,0	3,0
		<b>36H200</b>	89200036T	5WF	FL085	2012	50	145,53	144,16	150,0	102	121	58,0	32,0	26,0	3,0
		<b>40H200</b>	89200040T	5WF	FL090	2012	50	161,70	160,33	168,0	106	138	58,0	32,0	26,0	3,6
<b>44H200</b>	89200044T	5WF	FL095	2012	50	177,87	176,50	184,0	106	152	58,0	32,0	26,0	4,0		
<b>48H200</b>	89200048T	5WF	FL100	2517	60	194,04	192,67	200,0	119	169	58,0	45,0	13,0	4,6		
Ghisa / Cast iron Grauguss / Fonte Hierro fundido	senza flangia without flanges ohne Flanschen sans flasques sin tapetas	<b>60H200</b>	89200060T	9A	-	2517	60	242,55	241,18	-	119	223	60,0	45,0	7,5	7,0
		<b>72H200</b>	89200072T	9A	-	2517	60	291,06	289,69	-	119	270	60,0	45,0	7,5	8,0
		<b>84H200</b>	89200084T	9A	-	2517	60	339,57	338,20	-	119	318	60,0	45,0	7,5	9,0
		<b>96H200</b>	89200096T	9A	-	2517	60	388,08	386,71	-	119	366	60,0	45,0	7,5	10,0
		<b>120H200</b>	89200120T	9A	-	2517	60	485,10	483,73	-	119	462	60,0	45,0	7,5	13,4

## H 300 - 1/2" (12,7 mm)

Caratteristiche Features Merkmale Características	Codice Code symbol Bezeichnung Code symbole Numero de fabrica	Nostro codice Our code Unser Code Notre code Nuestro codigo	Tipo Type Typ Type Tipo	Codice flangia Flange code Bordscheiben Typ Code flasque Código brida	Bussola Bush Buchse Moyeu Casquillo	Foro max. Max. Bore Max. Bohrung Alesage max. Agujero max.	Dp	De	Df	Dm	Di	F	S	R	Peso Weight / Gewicht Poids / Peso Kg	
Acciaio / Steel / Stahl Acier / Acero	con flangia / with flanges mit Flanges / avec flasques / con tapetas	<b>20H300</b>	89300020T	4F	FL076	1615	42	80,85	79,48	87,0	-	60	84,0	38,0	23,0	1,5
		<b>21H300</b>	89300021T	4F	FL066	1615	42	84,89	83,52	91,0	-	64	84,0	38,0	23,0	1,2
		<b>22H300</b>	89300022T	4F	FL067	1615	42	88,94	87,56	94,0	-	67	84,0	38,0	23,0	1,6
		<b>23H300</b>	89300023T	4F	FL068	1615	42	92,98	91,61	97,0	-	70	84,0	38,0	23,0	1,8
		<b>24H300</b>	89300024T	4F	FL070	1615	42	97,02	95,65	102,0	-	74	84,0	38,0	23,0	2,0
		<b>25H300</b>	89300025T	4F	FL071	1615	42	101,06	99,69	106,0	-	77	84,0	38,0	23,0	2,0
		<b>26H300</b>	89300026T	4F	FL072	1615	42	105,11	103,73	112,0	-	82	84,0	38,0	23,0	2,7
		<b>27H300</b>	89300027T	4F	FL074	2012	50	109,15	107,78	115,0	-	85	84,0	32,0	26,0	3,0
		<b>28H300</b>	89300028T	4F	FL075	2012	50	113,19	111,82	120,0	-	90	84,0	32,0	26,0	2,4
		<b>30H300</b>	89300030T	4F	FL078	2012	50	121,28	119,90	128,0	-	98	84,0	32,0	26,0	2,9
		<b>32H300</b>	89300032T	4F	FL080	2517	60	129,36	127,99	135,0	-	106	84,0	45,0	19,5	3,3
		<b>36H300</b>	89300036T	4F	FL085	2517	60	145,53	144,16	150,0	-	121	84,0	45,0	19,5	4,5
		<b>40H300</b>	89300040T	4F	FL090	2517	60	161,70	160,33	168,0	-	138	84,0	45,0	19,5	6,0
		<b>44H300</b>	89300044T	9WF	FL095	2517	60	177,87	176,50	184,0	119	152	86,0	45,0	20,5	6,6
		<b>48H300</b>	89300048T	9WF	FL100	2517	60	194,04	192,67	200,0	119	169	86,0	45,0	20,5	7,6
Ghisa / Cast iron Grauguss / Fonte Hierro fundido	senza flangia without flanges ohne Flanschen sans flasques sin tapetas	<b>60H300</b>	89300060T	9A	-	2517	60	242,55	241,18	-	119	223	86,0	45,0	20,5	8,4
		<b>72H300</b>	89300072T	9A	-	2517	60	291,06	289,69	-	119	270	86,0	45,0	20,5	10,4
		<b>84H300</b>	89300084T	9A	-	2517	60	339,57	338,20	-	119	318	86,0	45,0	20,5	12,5
		<b>96H300</b>	89300096T	9A	-	3030	75	388,08	386,71	-	150	366	86,0	76,0	5,0	14,2
		<b>120H300</b>	89300120T	9A	-	3030	75	485,10	483,73	-	150	462	86,0	76,0	5,0	18,8