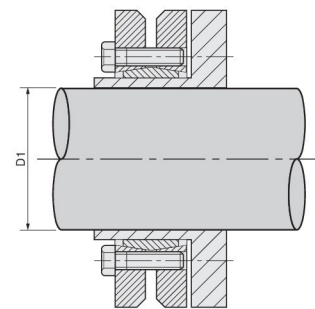
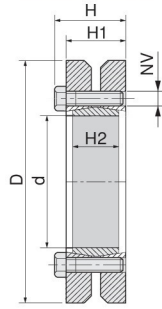


C&S-19/KLPP



Materiale C45E
UNI EN 10083-1
Dimensioni valide per gruppo non precaricato

Material C45E
UNI EN 10083-1
Dimentions before mounting

Werkstoff C45E
UNI EN 10083-1
Abmessungen vor Montage

Matière C45E
UNI EN 10083-1
Dimensions avant le montage

Material C45E
UNI EN 10083-1
Dimensiones antes del montaje

Nostro codice Our code Unser Code Notre code Nuestro código	Dimensioni / Dimentions Abmessungen / Dimensions Dimensiones						Serraggio / Tightening Befestigung / Serrage Fijación			Prestazioni / Performances Leistungen / Performances Prestaciones		Pressioni superficiali / Surface pressures Oberflächendruck / Pressions de surface / Presiones superficiales
	d	D	D1	H	H1	H2	NV	Tv (Nm)	N° viti / No. of screws Schraubenanzahl Nombre de vis Numero de tornillos	Mt (Nm)	Ta (KN)	Pa (N/mm ²)
66019024	24	50	19 20 21	23,0	19,5	14	M5 x 18	4	6	216 265 314	23,0 27,0 30,0	272
66019030	30	60	24 25 26	25,0	21,5	16	M5 x 18	4	7	372 421 461	31,0 34,0 36,0	221
66019036	36	72	26 28 30	27,5	23,5	18	M6 x 20	12	5	471 550 713	36,3 39,3 47,5	292
66019044	44	80	32 35 36	29,5	25,5	20	M6 x 20	12	7	925 1175 1275	57,8 67,1 70,8	301
66019050	50	90	38 40 42	31,5	27,5	22	M6 x 25	12	8	1313 1638 1925	69,1 81,9 91,7	275
66019055	55	100	42 45 48	34,5	30,5	23	M6 x 25	12	8	1450 1900 2350	69,0 84,4 97,9	239
66019062	62	110	48 50 52	34,5	30,5	23	M6 x 25	12	10	2775 3275 3613	116,0 131,0 139,0	265
66019068	68	115	50 55 60	34,5	30,5	23	M6 x 25	12	10	2500 3125 3938	100,0 114,0 131,0	242
66019075	75	138	55 60 65	37,8	32,5	25	M8 x 30	30	7	3125 4000 4938	114,0 133,0 152,0	259
66019080	80	145	60 65 70	37,8	32,5	25	M8 x 30	30	7	4000 4875 5750	133,0 150,0 164,0	243
66019090	90	155	65 70 75	44,3	39,0	30	M8 x 35	30	10	5938 7500 9063	183,0 214,0 242,0	257
66019100	100	170	70 75 80	49,3	44,0	34	M8 x 35	30	12	8625 9375 11250	246,0 250,0 281,0	245
66019110	110	185	75 80 85	56,4	50,0	39	M10 x 40	59	9	9000 11250 13500	240,0 281,0 318,0	232
66019125	125	215	85 90 95	60,4	54,0	42	M10 x 40	59	12	13750 16250 18750	324,0 361,0 395,0	253
66019140	140	230	95 100 105	68,0	60,5	46	M12 x 45	100	10	18875 22000 25125	397,0 440,0 479,0	251
66019155	155	265	105 110 115	72,0	64,5	50	M12 x 50	100	12	27500 31250 35000	524,0 568,0 609,0	250
66019165	165	290	115 120 125	81,0	71,0	56	M16 x 55	250	8	38750 43750 48750	674,0 729,0 780,0	263
66019175	175	300	125 130 135	81,0	71,0	56	M16 x 55	250	8	45000 51250 56250	720,0 788,0 833,0	240
66019185	185	330	135 140 145	96,0	86,0	71	M16 x 65	250	10	65000 71250 77500	963,0 1018,0 1069,0	240