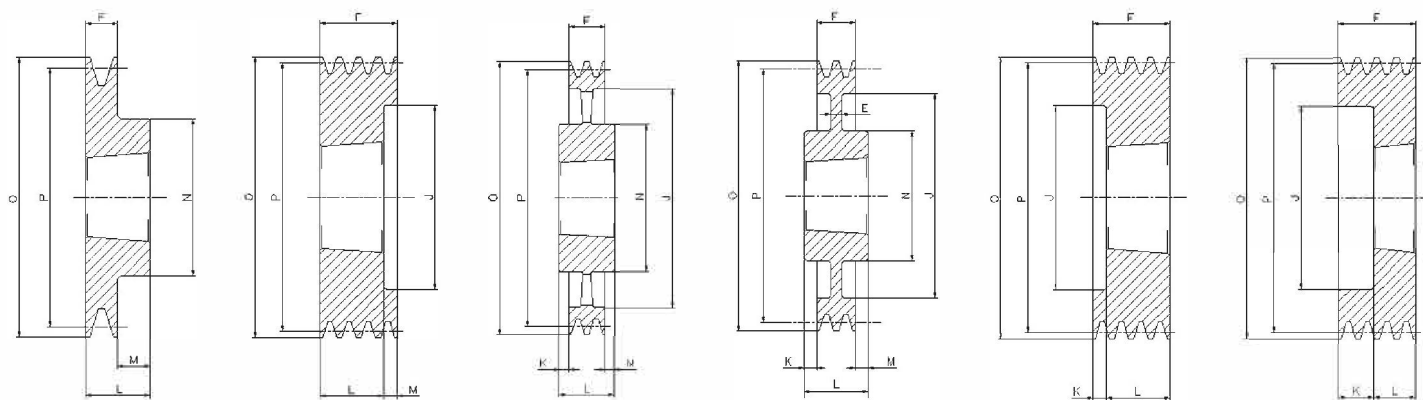




Poleas Trapeciales, para cables y para puertas



1

2

4

7

8

9

SPZ/2

Cod. interno Internal code Interne Code Code interne Código interno	Tipo Type Typ Type Tipo	Gole Grooves Rillen Gorges Canales	P	O	Forma Form Forme Forme Forma	Bussola Bush Buchse Moyeu Casquillo	Ø MAX	E	F	J	K	L	M	N
	SPZ 50-02	2	50	54	9	1008	25	-	50	26	25,0	25	-	-
	SPZ 56-02	2	56	60	9	1008	25	-	49	32	27,0	22	-	-
872060T	SPZ 60-02	2	60	64	9	1108	28	-	49	36	27,0	22	-	-
872063T	SPZ 63-02	2	63	67	8	1108	28	-	28	40	6,0	22	-	-
872067T	SPZ 67-02	2	67	71	8	1108	28	-	28	42	6,0	22	-	-
872071T	SPZ 71-02	2	71	75	8	1108	28	-	28	42	6,0	22	-	-
872075T	SPZ 75-02	2	75	79	8	1210	32	-	28	51	3,0	25	-	-
872080T	SPZ 80-02	2	80	84	8	1210	32	-	28	51	3,0	25	-	-
872085T	SPZ 85-02	2	85	89	8	1610	42	-	28	60	3,0	25	-	-
872090T	SPZ 90-02	2	90	94	8	1610	42	-	28	61	3,0	25	-	-
872095T	SPZ 95-02	2	95	99	8	1610	42	-	28	66	3,0	25	-	-
872100T	SPZ100-02	2	100	104	8	1610	42	-	28	71	3,0	25	-	-
872106T	SPZ106-02	2	106	110	8	1610	42	-	28	76	3,0	25	-	-
872112T	SPZ112-02	2	112	116	8	1610	42	-	28	83	3,0	25	-	-
872118T	SPZ118-02	2	118	122	8	1610	42	-	28	90	3,0	25	-	-
872125T	SPZ125-02	2	125	129	8	1610	42	-	28	96	3,0	25	-	-
872132T	SPZ132-02	2	132	136	8	1610	42	-	28	103	3,0	25	-	-
872140T	SPZ140-02	2	140	144	8	1610	42	-	28	111	3,0	25	-	-
872150T	SPZ150-02	2	150	154	1	2012	50	-	28	-	-	32	4,0	112
872160T	SPZ160-02	2	160	164	1	2012	50	-	28	-	-	32	4,0	112
872170T	SPZ170-02	2	170	174	1	2012	50	-	28	-	-	32	4,0	112
872180T	SPZ180-02	2	180	184	7	2012	50	6	28	152	-	32	4,0	112
872190T	SPZ190-02	2	190	194	7	2012	50	12	28	162	-	32	4,0	112
872200T	SPZ200-02	2	200	204	7	2012	50	6	28	171	-	32	4,0	112
872224T	SPZ224-02	2	224	228	4	2012	50	15	28	195	-	32	4,0	112
872250T	SPZ250-02	2	250	254	4	2012	50	-	28	221	2,0	32	2,0	112
872280T	SPZ280-02	2	280	284	4	2012	50	-	28	251	2,0	32	2,0	112
872315T	SPZ315-02	2	315	319	4	2012	50	-	28	286	2,0	32	2,0	112
872355T	SPZ355-02	2	355	359	4	2012	50	-	28	326	2,0	32	2,0	112
872400T	SPZ400-02	2	400	404	4	2517	60	-	28	371	8,5	45	8,5	124
872450T	SPZ450-02	2	450	454	4	2517	60	-	28	421	8,5	45	8,5	124

Acciaio / Steel / Stahl / Acier / Acero